



LIVING FIRE

PREMIUM CATALYTIC-FREE WOOD INSERTS



VISTA INSERT LE
SUPER INSERT LE
SUMMIT INSERT LE

NEO 1.6 INSERT LE
NEO 2.5 INSERT LE

ALDERLEA T5 INSERT LE
ALDERLEA T5 CLASSIC INSERT LE



NEO SERIES

FIREPLACE INSERTS

CATALYTIC-FREE TECHNOLOGY

✓ MORE DURABLE

✓ MORE RELIABLE



small to medium rooms



medium to large rooms

Designed to deliver efficient combustion and controlled heat, Pacific Energy wood inserts are easy to light, easy to use, and provide a clear view of the flame. With variable speed fans, clean-glass airwash technology and heavy-gauge steel construction, our inserts will provide many years of comfort and enjoyment.

NEO 1.6 INSERT LE

56,000 BTU Cord Wood
23,200 BTU EPA Test Fuel

Efficiency (HHV)	72%
Emissions	1.9 gm/hr.
Log Size (recommended)	16 in.
Log Size (max)	17 in.

Firebox Size	1.6 cu.ft.
Glass Viewing Area	147 sq.in.
Weight	285 lbs.

NEO 2.5 INSERT LE

85,000 BTU Cord Wood
60,000 BTU EPA Test Fuel

Efficiency (HHV)	72%
Emissions	2.0 gm/hr.*
Log Size (recommended)	16 in.
Log Size (max)	18 in.

Firebox Size	2.5 cu.ft.
Glass Viewing Area	166 sq.in.
Weight	420 lbs.

* EPA cord wood tested

TRADITIONAL SERIES

FIREPLACE INSERTS

✓ EASIER TO OPERATE

✓ ENVIRONMENTALLY FRIENDLY



small to medium rooms

VISTA INSERT LE

56,000 BTU Cord Wood
23,200 BTU EPA Test Fuel

Efficiency (HHV)	72%
Emissions	1.9 gm/hr.
Log Size (recommended)	16 in.
Log Size (max)	17 in.

Firebox Size	1.6 c.ft.
Glass Viewing Area	152 sq.in.
Weight	280 lbs.



medium rooms

SUPER INSERT LE

72,000 BTU Cord Wood
38,200 BTU EPA Test Fuel

Efficiency (HHV)	71.3%
Emissions	1.8 gm/hr.
Log Size (recommended)	16 in.
Log Size (max)	18 in.

Firebox Size	2.1 cu.ft.
Glass Viewing Area	122 sq.in.
Weight	350 lbs.



medium to large rooms

SUMMIT INSERT LE

99,000 BTU Cord Wood
41,275 BTU EPA Test Fuel

Efficiency (HHV)	74%
Emissions	1.8 gm/hr.
Log Size (recommended)	16 in.
Log Size (max)	20 in.

Firebox Size	3.0 cu.ft.
Glass Viewing Area	153 sq.in.
Weight	465 lbs.

ALDERLEA SERIES

FIREPLACE INSERTS

- ✓ EASIER TO OPERATE
- ✓ ENVIRONMENTALLY FRIENDLY



medium rooms



medium rooms

Transform your fireplace into an efficient heating system and enjoy the traditional cast iron styling of the T5 Inserts LE. Choose from rich metallic black or the added beauty and charm of lustrous porcelain enamel to create a striking centerpiece that provides long-lasting, clean-burning heat.

ALDERLEA T5 INSERT LE

72,000 BTU Cord Wood
38,200 BTU EPA Test Fuel

Efficiency (HHV)	71.3%
Emissions	1.8 gm/hr.
Log Size (recommended)	16 in.
Log Size (max)	18 in.

Firebox Size	2.1 cu.ft.
Glass Viewing Area	152 sq.in.
Weight	480 lbs.

ALDERLEA T5 CLASSIC INSERT LE

72,000 BTU Cord Wood
38,200 BTU EPA Test Fuel

Efficiency (HHV)	71.3%
Emissions	1.8 gm/hr.
Log Size (recommended)	16 in.
Log Size (max)	18 in.

Firebox Size	2.1 cu.ft.
Glass Viewing Area	152 sq.in.
Weight	480 lbs.

EPA2020
CERTIFIED



All Pacific Energy Wood Inserts come standard with these industry leading features:

- EPA 2020 Certified
- Reliable, Durable Catalytic-Free Technology
- High capacity baffle system
- Multi-port combustion air injection system
- Air wash system for super clean ceramic glass
- Inside and outside combustion air capable
- Floating firebox for extended stove life
- Single-Lever Air Control

VISTA INSERT LE

STANDARD FEATURES

Rich metallic black finish
304 Steel Baffle, Tubes, Rails and Flame Shield
Removable flue collar for easier installation
Boost air for easy lighting
2 x 80 cfm temperature-actuated variable-speed blowers
6" flue outlet
Removable flue collar
East-West loading

DESIGN OPTIONS

Arched door: choice of three finishes
Embossed Surround, Standard Size (37" x 28")
Embossed Surround, Oversize (42" x 30")

SUPER INSERT LE

STANDARD FEATURES

Extended Burn Technology (EBT)
304 Stainless Steel Baffle, insulation cover, rails and flame shield
Removable flue collar for easier installation
Boost air for easy lighting
Rich Metallic black finish
Cast iron warming shelf & ash lip
Two temperature-actuated variable-speed blowers
6" flue outlet
Removable flue collar
North-South fuel loading

DESIGN OPTIONS

Arched door: choice of three finishes
Embossed Surround, Standard Size (43" x 29")
Embossed Surround, Oversize (48" x 33")

NEO 1.6 INSERT LE + NEO 2.5 INSERT LE

STANDARD FEATURES

Rich metallic black finish
304 Stainless Steel Baffle, Tubes*
insulation cover, rails and flame shield
High-tech multi-port combustion air injection system
Extended Burn Technology (EBT)**
Removable Cast-Iron Flue Collar
Integrated Heat Exchanger
2x80 cfm temperature actuated variable speed blowers
6" flue outlet
Removable flue collar
East-West loading

DESIGN OPTIONS

Contemporary Surround in Metallic Black or Stainless Steel (36" x 26")
Oversize Surround (46" x 30")



Contemporary Metallic Black



Contemporary Stainless Steel

* Neo 1.6 Insert LE only | ** Neo 2.5 Insert LE only

SUMMIT INSERT LE

STANDARD FEATURES

Extended Burn Technology (EBT)
304 Stainless Steel Baffle, insulation cover, rails and flame shield
Boost air for easy lighting
Rich Metallic black finish
Cast iron warming shelf & ash lip
Easy and safe front to back fuel loading
Two temperature-actuated variable-speed blowers
6" flue outlet
Removable flue collar
North-South loading

DESIGN OPTIONS

Arched door: choice of three finishes
Embossed Surround, Standard Size (50 3/8" x 32 1/4")
Embossed Surround, Oversize (54 3/8" x 34 1/4")

ALDERLEA T5 INSERT LE

STANDARD FEATURES

Extended Burn Technology (EBT)
304 Stainless Steel Baffle, insulation cover, rails and flame shield
Boost air for easy lighting
Cast iron warming shelf & ash lip
Two temperature-actuated variable-speed blowers
6" flue outlet
Removable flue collar
North-South fuel loading

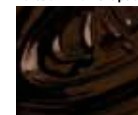
DESIGN OPTIONS

Metallic Black or porcelain enamel finish in Majolica or Antique White
Standard Surround Top (42 1/2" x 30 3/8")
Oversized Surround Top (42 1/2" x 34 1/8")



Metallic Black

Porcelain Enamel Options



Majolica



Antique White



Pacific Energy Traditional Inserts are customizable in your choice of door finishes. Available in Nickel, Metallic Black and Brushed Nickel.



Nickel

Metallic Black

Brushed Nickel

BAFFLE SYSTEM

Pacific Energy is a recognized industry leader in "clean burn" technology, as exemplified in our unique high capacity baffle system for preheating secondary combustion air for re-burning. By burning the combustible elements in the air, we improve our stoves' environmental performance while significantly reducing the amount of wood that is consumed.

EBT EXTENDED BURN TECHNOLOGY

Our second-generation Extended Burn Technology, or EBT, precisely regulates secondary airflow based on vacuum created by the chimney for a longer, cleaner, more economical burn. This automatically adjusts the secondary combustion system, for a cleaner, more efficient burn and extended burn time.

FLOATING FIREBOX

Our floating firebox system is legendary in the industry. Solidly designed with 304 grade stainless steel brick-support rails, it allows key parts to freely expand and contract, which reduces metal fatigue and adds years of life to the entire fireplace insert.

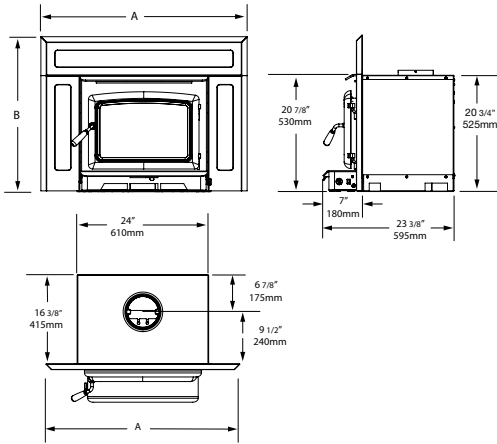
CAST IRON OVER STEEL

The Alderlea design makes the most of each metal: the steel stove and floating firebox is free to expand and contract, and its design maximizes convective heat efficiency, while the cast iron wrapping provides radiant heat. This superior system greatly extends longevity over an all cast stove. Metal fatigue is no longer a factor, allowing us to offer the industry's first lifetime warranty on a cast stove.

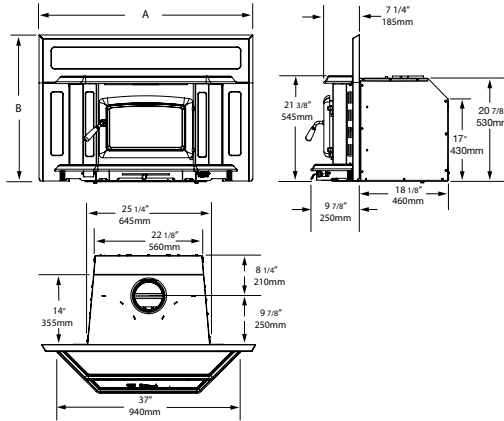


PRODUCT DIMENSIONS

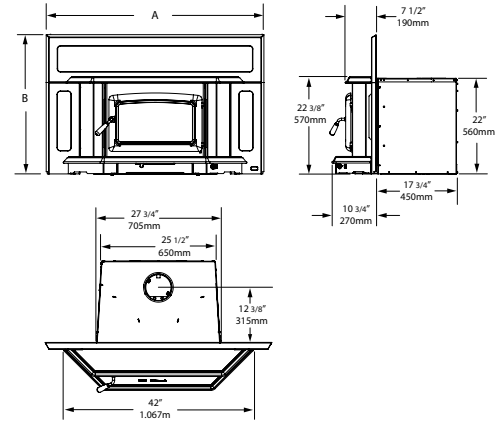
VISTA INSERT LE



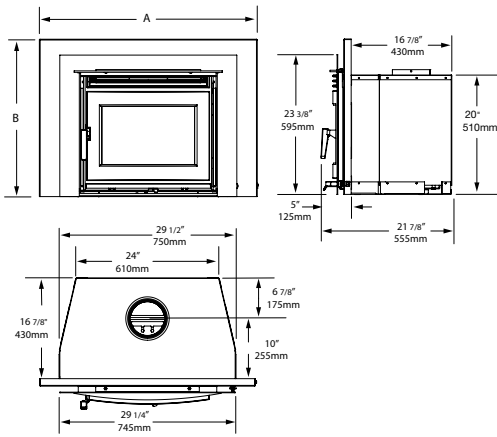
SUPER INSERT LE



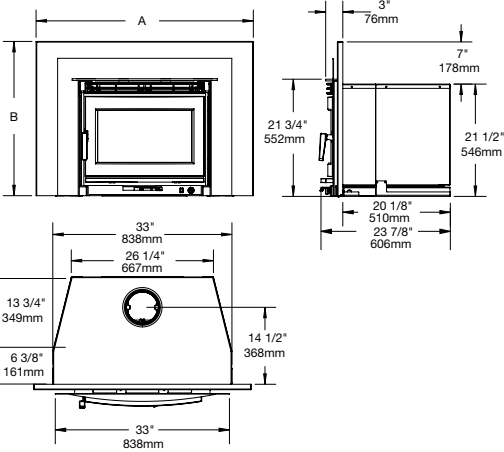
SUMMIT INSERT LE



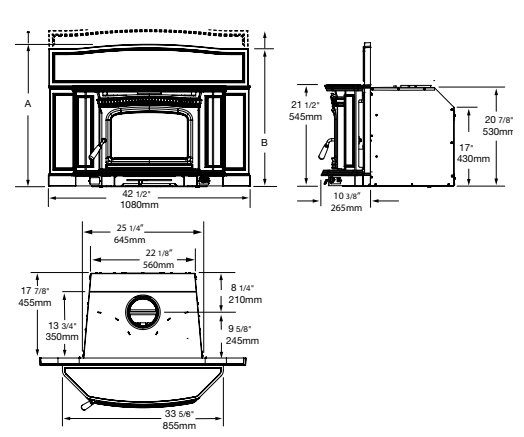
NEO 1.6 INSERT LE



NEO 2.5 INSERT LE



ALDERLEA T5 INSERT LE



INSTALLATION

CLEARANCES TO COMBUSTIBLES

	A	B*	C	D (Can)	D (USA)	E
NEO 1.6 INSERT LE ¹	9 1/2"	13"	13"	18"	16"	8"
NEO 2.5 INSERT LE ¹	11 1/2"	16"	15"	18"	16"	8"
VISTA INSERT LE ¹	9 1/2"	13"	13"	18"	16"	8"
SUPER INSERT LE ²	6"	12"	10"	18"	16"	8"
SUMMIT INSERT LE ²	8"	15"	8"	18"	16"	8"
ALDERLEA T5 INSERT LE ²	6"	12"	10"	18"	16"	8"

MINIMUM FIREPLACE OPENING

A	B	C	D
20 1/4"	30"	17"	24 1/2"
22"	34"	20"	26 1/2"
21"	24 1/2"	17"	24 1/2"
21"	26"	18 3/8"	22 1/2"
22 1/2"	28 1/4"	19"	26 1/4"
21"	26"	18 3/8"	22 1/2"

SURROUND SIZES

STANDARD		OVERSIZE	
Width	Height	Width	Height
36"	26"	46"	30"
40"	28 1/2"	48"	32"
37"	28"	42"	30"
43 3/8"	29 3/16"	48"	33"
50 3/8"	32 1/4"	54 3/8"	34 1/4"
30 3/8"	29 3/8"	34 1/8"	33 1/8"

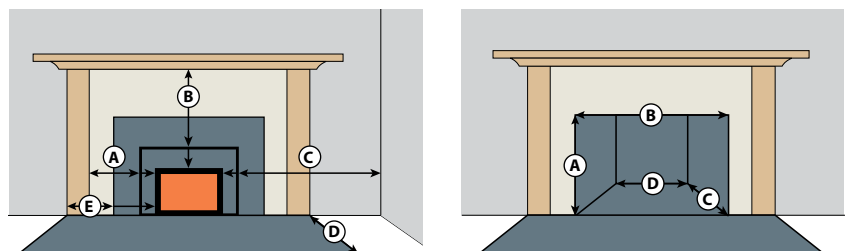
(1)distances are from Firebox Side. (2) Distances are from the Blower Covers. (*)Distances are from the top.

LF LIVING FIRE
PAUL AGNEW | DESIGN

Richmond Showroom:
361 Swan Street, Richmond 3121

Bayside Showroom:
148-150 Cochrane Rd, Moorabbin 3189

03 99 777 888 www.livingfire.com.au



For reference only. Installations should be based on manuals and rating labels. Specification subject to change.