

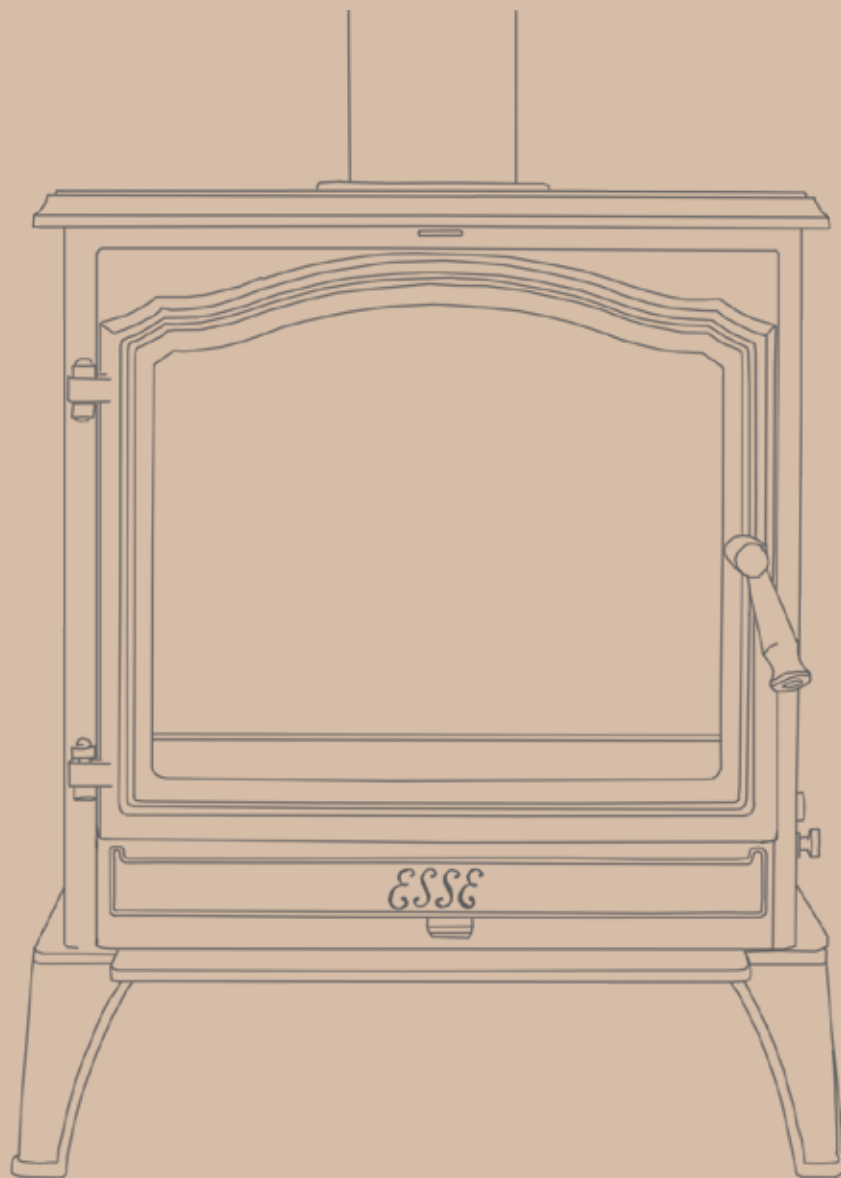
LF

LIVING FIRE

MASTER
STOVE
MAKER
SINCE 1854

ESSE

HEATING COLLECTION





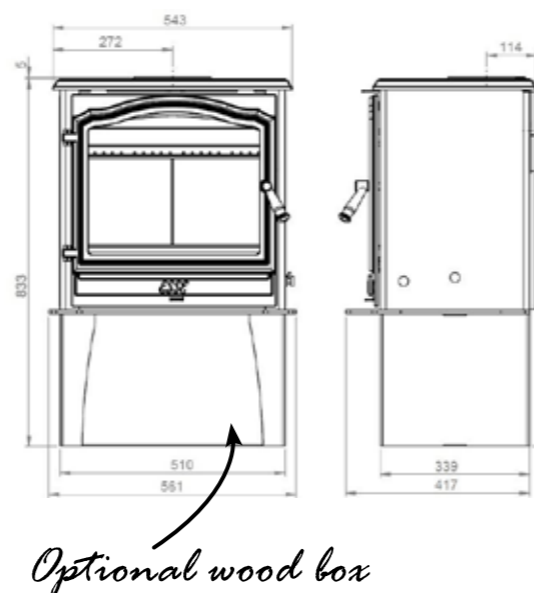
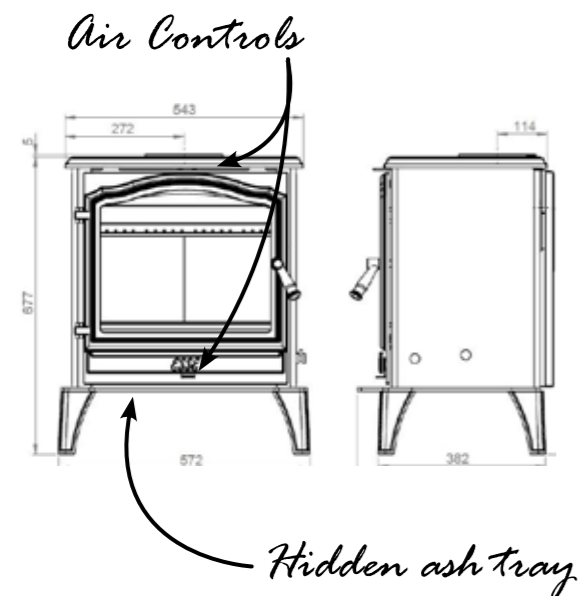
700 Vista



700 Vista on optional Wood Box

700 VISTA SPECIFICATIONS WOOD

OUTPUT	10.5kW
EFFICIENCY	64%
EMISSIONS	1grm
FLUE PIPE DIAMETER	6" (150mm)
WEIGHT	102kg
STYLE	RADIANT
BURN TIME	6-8 Hours
CLEARANCES TO COMBUSTIBLES	400mm side, 350mm rear, 275mm corner
HEARTH REQUIREMENTS	740m deep, 820mm wide, 9mm thick



THE 700 VISTA WOOD

The ESSE 700 Vista has the same British quality as all ESSE stoves, 100% English hand-made, your Esse 700 is perfect for heating up to 110m2.

Stunning view of the flames can be seen through ESSE's signature arch window. The ESSE 700 Vista is ideally suited to bigger fireplaces or for installation as a freestanding focal point.

The ESSE 700 Vista is a multi-fuel stove which allows you to burn wood or briquettes. The grate and ash tray design makes cleaning a breeze.

With two air controls, you can change the way your ESSE 700 Vista burns. The primary air control gives you impressive flames, where the bottom secondary air control works like bellows to give your fire a serious boost when needed.

With a cast iron top you can pop a kettle on top of your ESSE 700 Vista or let your pot roast simmer away all day.

Continuing with ESSE's passion for the environment the ESSE 700 Vista is clean burning with 1grm emissions and highly efficient at 65%

The 700 Vista boasts quality engineering and simple maintenance you would expect of ESSE.



Vector
730mm high, 275mm wide

THE VECTOR ELECTRIC

Introducing ESSE's all-new electric heater, the Vector. This iconic electric heater has been developed for a sophisticated customer looking for style, functionality, performance and flexibility.

A stylish addition to any room, Vector's contemporary design is the result of a collaboration between British designer Adrian Stokes and ESSE's own in-house research and development team.

Finished in a stylish graphite finish, the Vector provides both radiant and convective heat via an efficient cylindrical body enhanced by elegant fin detailing and a subtle warm amber glow.

Vector requires no installation or maintenance and can be used in any room with a standard power point, but unlike a fan heater, it is silent and draught-free. A single top-mounted dial switches the power on / off and varies the temperature. After being powered down, the Vector continues to heat a room for up to 30 minutes.

With a maximum output of 2kW, Vector can provide additional heat for occasional spaces such as spare rooms, home offices, fitting spaces and 'man caves'. It's the perfect appliance to give a welcome boost to additional heating in any room where families want a warm and cosy environment in which to relax.

ESSE Every ESSE cooker is made in the
United Kingdom. This edition 2018.

"ESSE" is a trade mark of ESSE Engineering Limited © ESSE Engineering Limited 2013. All rights reserved. No part of this publication may be reproduced in any form or by any means without the prior written permission of ESSE Engineering LTD.

WE ARE CONSTANTLY DEVELOPING AND IMPROVING OUR PRODUCTS. WE RESERVE THE RIGHT TO ALTER SPECIFICATIONS WITHOUT PRIOR NOTICE.

LF LIVING FIRE
PAUL AGNEW | DESIGN

Richmond Showroom:
361 Swan Street, Richmond 3121

Bayside Showroom:
148-150 Cochranes Rd, Moorabbin 3189

03 99 777 888

www.livingfire.com.au