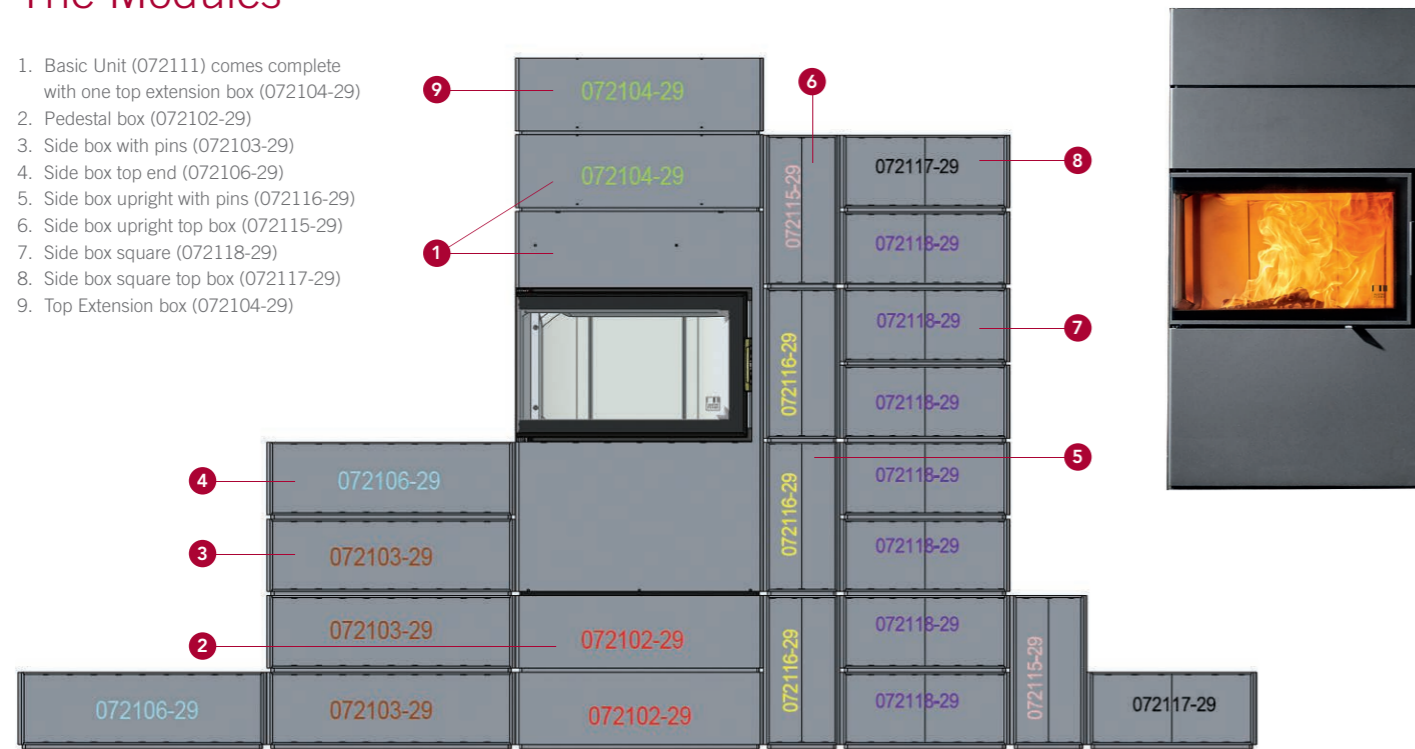


The Modules

1. Basic Unit (072111) comes complete with one top extension box (072104-29)
2. Pedestal box (072102-29)
3. Side box with pins (072103-29)
4. Side box top end (072106-29)
5. Side box upright with pins (072116-29)
6. Side box upright top box (072115-29)
7. Side box square (072118-29)
8. Side box square top box (072117-29)
9. Top Extension box (072104-29)

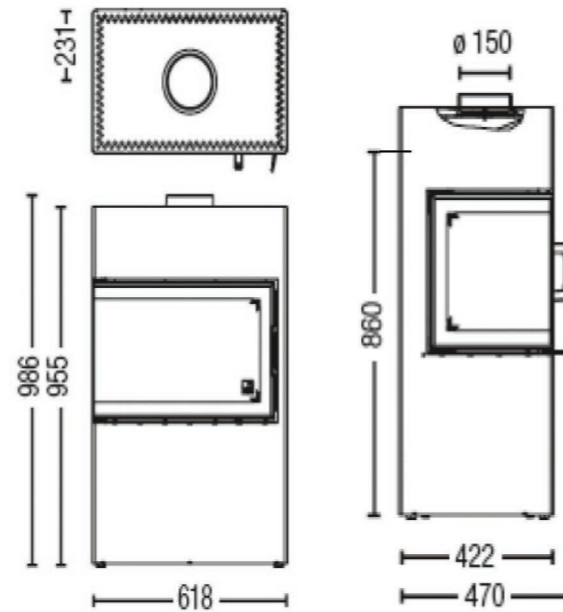


Dimensions and Specifications

Dimensions (WxHxD) mm (height includes Top Extension box)	618 x 1146 x 422
Weight (includes Top Extension box)	160kg
Heat Output (Nominal)	9.9kW
Approx. heat area	10-15 m ²
Efficiency	61%
Emissions	1.5g/Kg
Hearth Dimensions - Thickness (Bellis Board or equivalent)	9mm
Hearth Dimensions (WxD) mm (depth includes 300mm front clearance and minimum of 300mm to the side of the glass side door)	1120 x 900
Viewing Dimensions mm	340 x 561 + 325 right angle
Flue exit top/rear fits to	ø150mm
Clearances*	
Rear	175
Sides - for a front and right glass door	Left 275 Right 900
Sides - for a front and left glass door	Left 900 Right 275

* Clearances based on installation of a triple skin flue kit with solid case.

✓ Tested and compliant to Australian Standard AS4102: AS 4013 (report #18097)



Your Austroflamm dealer

LF LIVING FIRE
QUAL. APPROVED
 Richmond Showroom:
 361 Swan Street, Richmond 3121
 Bayside Showroom:
 148-150 Cochrane Rd, Moorabbin 3189
 03 99 777 888 www.livingfire.com.au

The information contained in this brochure is to assist you in your choice of a suitable fire. It is not intended to be all the information required to install the fire and does not replace the installation manual which provides more detailed information. In the interest of product development Austroflamm reserves the right to change specifications without prior notice. Models shown may include various modules not included with the basic unit.

LF LIVING FIRE

AUSTRO
FLAMM

The Dexter



A contemporary, modular stove
to suit any environment



The Dexter

- Exclusive 'Keramott' firebox lining creates exceptional thermal insulation and heat conduction
- Modular system to personalise your stove
- Add modules (boxes) to the side, top or bottom as wood storage, shelf or bench
- Either top or rear venting providing installation flexibility
- Choice of left-hand or right-hand side viewing

