



LF LIVING FIRE
PAUL AGNEW | DESIGNS

Richmond Showroom:
361 Swan Street, Richmond 3121

Bayside Showroom:
148-150 Cochrane Rd, Moorabbin 3189

03 99 777 888

www.livingfire.com.au



Kalora Fusion - Traditional living at its finest

The **Kalora Fusion** is the result of the synergy that can be achieved when you combine the features of a modern high performance wood heater with the nostalgic feel and benefits of a traditional wood fired stove.

IN THE DETAILS...



Heats up to 200m²



Large bakers oven



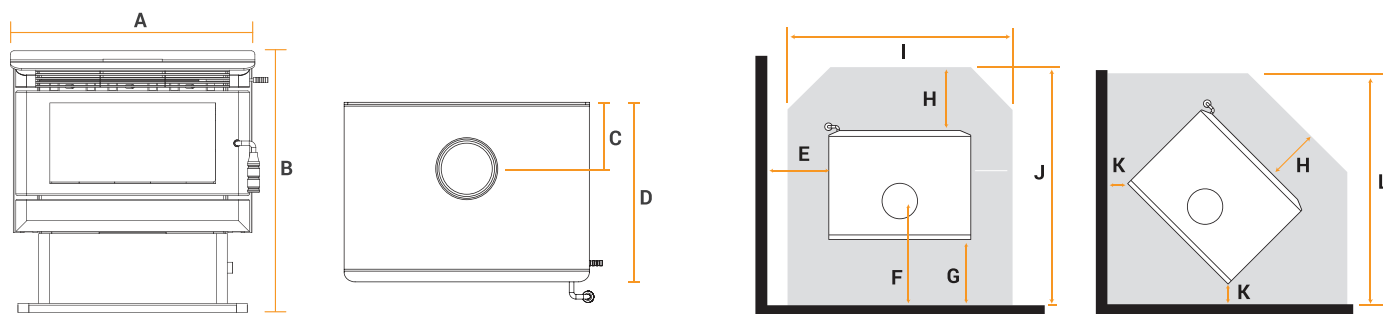
Primary and secondary air adjustment



Practical cook top with removable hotplates

Freestanding Wood Fire

Unit Size and Clearances (mm)



	A	B	C	D	E	F	G	H	I	J	K	L
Kalora 425R	500	735	135	510	700	485	350	300	745	1160	550	1400
Kalora 500C	672	720	180	492	250	330	150	450	900	1090	100	1250
Kalora 500C Woodstack	690	845	195	504	250	345	150	450	900	1100	100	1245
Kalora 600C	772	792	205	560	350	380	175*	450	1000	1185	170	1430
Kalora Fusion	680	860	120	600	400	290	170*	300	820	1080	200	1300

* When installed with an additional 900mm x 180° stainless steel flue shield between the active flue and decorative mesh casing

Kalora appliance comparison chart

	Model no.	Heating capacity	Emissions	Efficiency	Peak kW rating	Net Weight	Gross weight	Packaged W x D x H
Kalora 425R	KA425R	140m ²	1.5g/kg	63%	18kW	96.6kg	106kg	585 x 585 x 870
Kalora 500C	KA500C2	200m ²	1.1g/kg	67%	12.1kW	138kg	158kg	780 x 645 x 880
Kalora 500C Woodstack	KA500BX2	200m ²	1.1g/kg	67%	12.1kW	159kg	179kg	780 x 650 x 1000
Kalora 600C	KA600C2	300m ²	1.3g/kg	62%	14.4kW	178kg	200kg	888 x 708 x 960
Kalora Fusion	KAF50	200m ²	Exempt	Exempt	-	229kg	246kg	770 x 710 x 1070
Kalora 500i	KA500i	180m ²	0.4g/kg	61%	12.1kW	125kg	145kg	780 x 620 x 600
Kalora 600i	KA600i	280m ²	0.9g/kg	61%	14.1kW	158kg	181kg	880 x 660 x 630
Kalora Sorrento	KAGAS10	90m ²	-	79%	-	90kg	110kg	1342 x 572 x 990

PLEASE NOTE

It is COMPULSORY to have your heater installed by a qualified person whose work conforms to Australian standards, local council regulations and manufacturer's recommendations. Your warranty and any home insurance may be void, on failure to do so.