

CLOU XTRA

(Model : AUHCLX AU)

- Heat Output ▪ 10.7kW av Peak
- Efficiency ▪ 62% av
- Coverage ▪ up to 150m²
- Emissions ▪ 1.1 grams/kg

The Austroflamm Clou Xtra wood burning fireplace is considered to be the pinnacle of design excellence. Combining proven heat technology and quality, with a design that is both visual and functional the Clou Xtra has a powerful 10.7kW of rated heat output.

Internally it has been equipped with Xtra heat storage technology. This technology is based on the patented Heat Memory System, in which the convection air can be regulated or shut off completely. Consequently a fast heating system is being combined with an extraordinarily efficient heat storage.

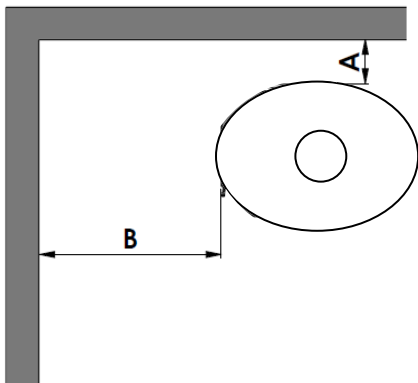
The convection air can be regulated according to demand with the attached lever. The more the convection air outlets of the top plate are open, the faster heat but less heat storage can be reached. A closed top plate will however lead to a slower heat output and longer heat storage. In addition exclusive to Austroflamm the clay combustion chamber in the Clou Xtra has a Keramott Lining. This material excels by an exceptional ratio between thermal insulation and heat conduction. As a consequence the combustion chamber reaches higher temperatures sooner. Likewise the unique surface structure prevents the settling of soot particles.

The Clou Xtra is manufactured in Austria from steel, and is a magnificent example of contemporary technology.



Clearances

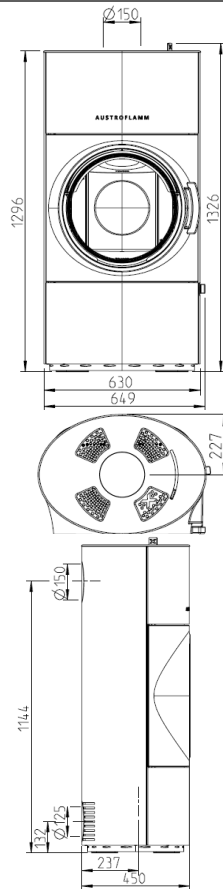
| Hearth depth inc 650mm in front. Thickness: Equal to 18mm Bellis Board or equivalent | Width | Depth | Thickness |
|---|-------|-------|-----------|
| Parallel No Shielding | 890 | 1375 | 18 |
| Parallel with 25mm thick Skamol 1200mm wide x 1900mm high wall | 890 | 1225 | 18 |



| Flue Shield Configuration | Rear [A] | Side [B] | Front | Corner |
|--|----------|----------|-------|--------|
| Parallel No Shielding | 275 | 550 | 650 | - |
| Parallel with 25mm thick Skamol 1200mm wide x 1900mm high wall | 125 | 550 | 650 | - |

CLEARANCES BASED ON INSTALLATION WILDCAT 6" TRIPLE SKIN FLUE KIT WITH 8" SOLID DECORATIVE FLUE SHIELD

Dimensions



Features

STANDARD FEATURES

- Xtra Heat Storage Technology with a Heat Memory System enables a regulation of convection air. This allows for a faster release of the heat or a slower heat and longer heat storage
- Keramott Lining, a development exclusive to Austroflamm. This material excels by an exceptional ratio between thermal insulation and heat conduction. As a consequence the combustion chamber reaches higher temperatures sooner
- Superior air wash system keeps the glass clean for unparalleled fire viewing
- Cool to the touch large elegant walnut handle
- Removable ash-box
- Manufactured in Black Steel
- Vertical smoke exit through the top with the option to switch to a Horizontal smoke exit through the Rear
- Weight : 295kilos
- Maximum log width : 300mm
- Flue Spigot Size : Ø 150mm 6inch
- Internal Firebox : 432[w] x 245[d] x 389[h]
- Viewing Area : Ø 475
- Warranty : Limited 6 years manufactures

OPTIONAL ACCESSORIES

- Austroflamm Clou Log Holder

Information supplied is to assist you in your choice of a suitable fire. It is not intended to be all the information required to install the fire and does not replace the installation manual which provides more detailed information. In the interest of product development Austroflamm reserves the right to change specifications without prior notice.

All measurements are in millimetres unless otherwise stated.

