



LIVING FIRE

STOVAX
Fire Your Imagination



STUDIO | WOOD FIRES

STOVAX

Fire Your Imagination

The fireplace is the heart of your home, a centrepiece to which friends and family gather...



CHOOSING YOUR STUDIO FIRE...

To own a Studio is to make a design statement that will become a heart-warming focal point to your home. There are several different styling options, from the simple Edge kits to the larger format Glass fascia, there are even several Freestanding models to ensure that there will be a Stovax just right for you.

STUDIO | INSERTS



STUDIO | FREESTANDING



Front cover: Studio 3 Edge + frame

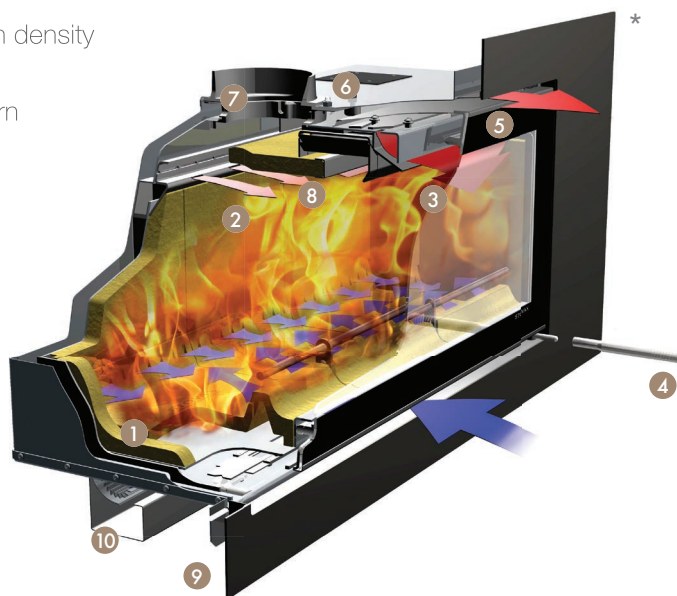
STUDIO | HIGH EFFICIENCY FIRES

Stovax Studio fires feature the very latest cleanburn combustion systems, allowing them to burn logs with outstanding efficiency, resulting in more heat delivery into the room and less going up the chimney. This technological advancement is achieved by introducing preheated, secondary air into the firebox to burn the excess hydrocarbons in the smoke. Airwash air flow also helps keep the window clean, allowing you to enjoy the flames to the full.

Whether you choose an insert or freestanding fire, your Studio will offer you full control of the flame aesthetics. From a lazy roll to a lively roar, you can adjust your fire to suit your mood. The doors on the Studio 1 and 2 are hinged to the left whilst the larger Studio 3 door opens downwards, minimising the risk of ash falling beyond the hearth and into the room.

Studio Key Design Features

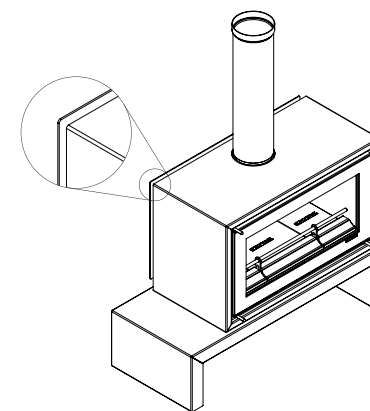
1. TCL (Technical Combustion Lining) High density thermal liner system
2. Heated air jets from cleanburn ports burn hydrocarbons in smoke
3. Airwash air flow for cleaner glass
4. Removable handle (Studio 1, 2 & 3) and door opening catch (Studio 1 & 2)
5. Convected and radiant heat
6. Convected heat ducting system outlet
7. Easy fit flue connection
8. Removable steel and TCL baffles
9. External air facility
10. Optional fan kit (inserts only)



* Illustration shows inserts with frame.

Studio Freestanding Heat Shields

These highly effective Heat Shields are available for all sizes of the Studio Freestanding models: Studio 1, 2 and 3, when fitted to the appliance. These fantastic additions allow a reduction of up to 62% in the distance to combustible materials at the rear of the appliance – reducing this to just 150mm.



Optional Fan Kit

Installing the optional fan kit into your Studio fire helps circulate combustion air, increasing burning efficiency and providing greater heat delivery into the room. With both manual and automatic settings, the fan kit is conveniently operated by the Studio Control Panel.



STUDIO | INSERT SIZE OPTIONS

Studio Inserts are available in three sizes, each with a wide variety of frame options. From glass to steel, there will be a frame to suit your own personal taste and style. Alternatively the Studio can be fitted with an Edge kit for a more minimalistic appearance. The first step is to identify the correct Studio size and heat output for your room, and then select the frame style to suit your home.

Studio Sizes



Studio 1



Studio 2



Studio 3

Studio Size	Energy Specifications				General Specifications			
	Optimum Efficiency	Product Size	Emissions (g/kg)	View Area	Room Size	Cavity Ventilation (External Air)	Replacement Room (External Air)	Flue Outlet Size
Studio 1 Insert	Up to 56%	Small	2.4	590 x263mm	168m ²	2 x 100mm	2 x 125 x125mm	6 inch (153mm)
Studio 2 Insert	Up to 60%	Medium	2.3	790 x289mm	210m ²	2 x 100mm	2 x 175x 175mm	6inch (153mm)
Studio 3 Insert	Up to 58%	Large	2	1178 x282mm	252m ²	2 x 100mm	2 x 200 x 200mm	6inch (153mm)

Please note the above information is an overview only.
For further technical information please see product manual.



Studio 2 Profil

STUDIO | FINISHING OPTIONS

This page outlines the many different finishing options available for the Studio fires. From the frameless edge to the impressive glass, these finishing options have all been designed specifically to complement the visuals of the Studio insert and offer you a spectrum of different styles, so you can be sure to find a fire that will be perfect for your home.



Studio Edge Kit



Studio Edge Plus Kit



Studio Glass



Studio Steel XS



Studio Profil



Studio 1 Edge + Kit

Frame Dimensions (w x h x d) mm

	Edge Kit	Edge + Kit	Glass Fascia	Profil Fascia	Steel XS Fascia
Studio 1 Insert	740 x 418 x 34*	785 x 463 x 34*	1209 x 573 x 8	839 x 517 x 33	881 x 567 x 3
Studio 2 Insert	940 x 443 x 34*	983 x 488 x 34*	1445 x 628 x 8	1039 x 542 x 33	1111 x 622 x 3
Studio 3 Insert	1327 x 448 x 44.5*	1372 x 493 x 34*	N/A	1426 x 547 x 45	1518 x 647 x 3

* Depth when recessed into wall, for more information on the optional wall-mounting box please see manual

The above information is to assist you in your choice of a suitable Studio fire. It is not intended to be all the information required to install your fire. This can be obtained from your retailer or you can download the full installation instructions from the Stovax website at stovax.com.au



STUDIO | FREESTANDING

The Studio Freestanding incorporates the impressive firebox performance of an insert fire with the welcoming presence of a stove. Available with a number of optional extras to help you create the right look for your home, the Studio Freestanding can be hearth mounted or installed on a Bench. An optional heat shield kit can be fitted to the appliance in order to reduce the distance to combustible materials if required.

Studio Freestanding Sizes



Studio 1 Freestanding
(Glass top not available in Australia)



Studio 2 Freestanding



Studio 3 Freestanding

Studio Freestanding Size	Energy Specifications				General Specifications		
	Optimum Efficiency	Product Size	Emissions (g/kg)	View Area	Room Size	Replacement Room (External Air)	Flue Outlet Size
Studio 1 Freestanding	Up to 64%	Small	2.2	590 x 263mm	150m ²	2 x 125 x 125mm	6inch (153mm)
Studio 2 Freestanding	Up to 61%	Medium	2.2	790 x 289mm	200m ²	2 x 175 x 175mm	6inch (153mm)
Studio 3 Freestanding	Up to 58%	Large	2.0	1177 x 286mm	250m ²	2 x 200 x 200mm	6inch (153mm)



STUDIO | BENCHES

These stunning benches, compatible with the Studio Freestanding fires, offer infinitely greater design possibilities and with four widths and two heights to choose from, you can be sure to satisfy your individual styling requirements.

- Sturdy steel construction
- Choice of 4 widths and 2 heights
- Durable matching black finish
- Proportioned 60mm wide legs
- Allows for central or offset stove positioning

Please note: Studio 3 Freestanding fires may be mounted onto a 180 Bench only.



100 High (RVACB100BHT)
(Glass top not available in Australia)



120 High (RVACB120BHT)



180 High (RVACB180BHT)



100 Low (RVACLB100BHT)



140 High (RVACB140BHT)

Bench Dimensions (w x h x d) mm

	Studio Bench 100 low	Studio Bench 100 high	Studio Bench 120 high	Studio Bench 140 high	Studio Bench 180 high
Studio 1 Freestanding	1000 x 250 x 420	1000 x 350 x 420	1200 x 350 x 420	1400 x 350 x 420	1800 x 350 x 480
Studio 2 Freestanding	N/A	N/A	1200 x 350 x 420	1400 x 350 x 420	1800 x 350 x 480
Studio 3 Freestanding	N/A	N/A	N/A	N/A	1800 x 350 x 480



Studio 3 Freestanding on Bench 180 High

STOVAX | CLEANING & MAINTENANCE

A lifetime of looking good

Stovax stoves and fireplaces have been intrinsically designed to require very little maintenance. However, when there are things to be done, we have an extensive selection of accessories that can make short work of the task.

CLEANING & MAINTENANCE ACCESSORIES	
THERMOLAC STOVE PAINT	Studio Aerosol Paint - Metallic Black
	View Aerosol Paint - Metallic Black
CLEANING PRODUCTS	Wipe-on Glass Cleaner - 500ml
	Spray Glass Cleaner - 500ml
	Limestone Cleaner - 500ml
	Stovax Slate cleaner - 500ml
MAINTENANCE PRODUCTS	Stovax Protector Sachets
	Stovax Protector Tub - 1kg
	Fire cement - 600g cartridge
	Fire cement - 500g tub
	Fire cement - 5kg tub
CHIMNEY BRUSHES	5" Polypropylene Brush Head
	6" Polypropylene Brush Head
	7" Polypropylene Brush Head
	8" Polypropylene Brush Head
	16" Polypropylene Brush Head
	6" Steel Brush (150mm)
	Uni Rod
	Uni Rod Adaptor
GLOVES	Leather Gloves (34cm x pair)
	Extra Long Leather Gloves (pair)
ROPE SEALS & TAPE	Thermic Seal - 50ml
	Rope Seal Pack 13mm Ø x 2.6m - black*
	Rope Seal Pack 13mm Ø x 3.5m - black*
OTHER	Carbon Monoxide Detector



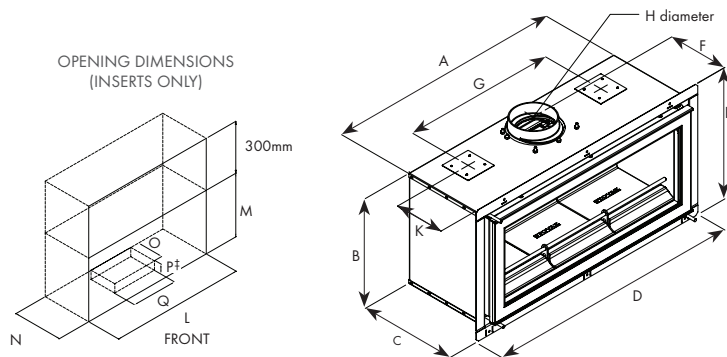
Please note: not all products pictured are available in Australia. List subject to change and availability.

* Rope seal packs includes glue and rope seal end tape

STUDIO | DIMENSIONS

An approved installer should undertake a site survey prior to purchase and must install any Studio Fire or Stove. Your Stovax retailer will be able to advise on this and, in particular, the use of high temperature (1300°C) plaster/screed in the area around Studio Inserts and Stoves. You may view/download complete installation instructions at our website - www.stovax.com.au. These diagrams cover some of the basic requirements. All fires and stoves should be installed by a competent person to the requirement of Building Regulations and include the fitting of adequate ventilation to ensure safe use. Usually older buildings do not need any additional ventilation for appliances up to 5kW, but modern houses will need additional ventilation in all cases. Some models can be fitted with an optional External Air Kit, or dedicated external air supply, offering a discreet and draught reducing solution to standard room venting. The diagrams and dimensions on these pages cover some of the basic requirements and are for initial information purposes only. **All product specifications are subject to change without notice. Before installing refer to the relevant product manual for full and up to date information. Product pictures are a guide only, all wood fires must be installed as per AS 2918 :2001. All Stovax wood fires exceed stringent joint Australian and New Zealand Standards ASNZS 4012/4013 (2014). Not all products are available at all outlets. Registered European Design 001169338.**

INSERTS DIMENSIONS

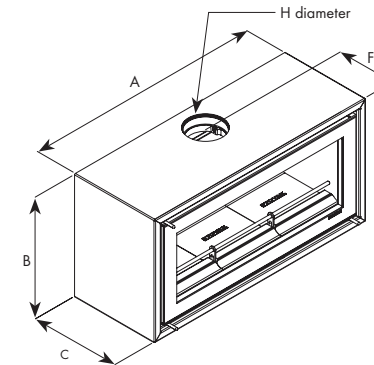


(all dimensions in mm)	Studio 1	Studio 2	Studio 3
A	745	950	1332
B	415	440	450
C	350	350	393
D	821	1019	1406
E	497	522	532
F	246	246	291
G	480	610	610/1010*
H ∅	153	153	153
K	240	240	275
L	755	960	1342
M	435	460	470
N	355	355	405
O	100	115	115
P	25	25	25
Q	605	750	750
Flame Viewing Window (W x H)	590 x 263	790 x 289	1177 x 286
Weight	91Kg	112Kg	175Kg

‡ If a fan kit is required, please allow 250mm for fitting.

* Studio 1 & 2 models have two air duct outlets whilst Studio 3 models have four. Please refer to installation manual for minimum distances to combustible materials.

FREESTANDING DIMENSIONS



(all dimensions in mm)	Studio 1 FS	Studio 2 FS	Studio 3 FS
A	800	1000	1389
B	479	504	516
C	380	380	445
D	-	-	-
E	-	-	-
F	260	260	325
G	-	-	-
H ∅	153	153	153
K	-	-	-
L	-	-	-
M	-	-	-
N	-	-	-
O	-	-	-
P	-	-	-
Q	-	-	-
Flame Viewing Window (W x H)	590 x 263	790 x 289	1177 x 286
Weight	105Kg	130Kg	185Kg

** For complementary benches to go with the Freestanding models, please see information provided on page 9



Studio 2 Steel XS

STOVAX
Fire Your Imagination

LF **LIVING FIRE**
PAUL AGNEW DESIGN

Richmond Showroom:
361 Swan Street, Richmond 3121

Bayside Showroom:
148-150 Cochrane Rd, Moorabbin 3189

03 99 777 888 www.livingfire.com.au

