

AUSTRO
FLAMM

LF LIVING FIRE





Woody

Here, the name speaks for itself! The Austroflamm Woody with its elegant wooden base and handle (a combination of beech and natural walnut) captivates at first glance. Just as striking is the oval cast door in portrait format and the bevelled lid. The perfect partner for the Woody is our beautiful and practical wood box. Of course, this is also available as an accessory to any other fire.

Modern stoves need inspirational design and enormous developments in the area of combustion technology. A fundamental example is the firebox lining: For all Austroflamm stoves these important parts are made out of "Keramott". Keramott is a special product developed exclusively by Austroflamm. This material excels by creating an exceptional ratio between thermal insulation and heat conduction. As a consequence the combustion chamber reaches higher temperatures sooner. A clean, low-emission combustion, keeping the glass exceptionally clean and the firebricks white.

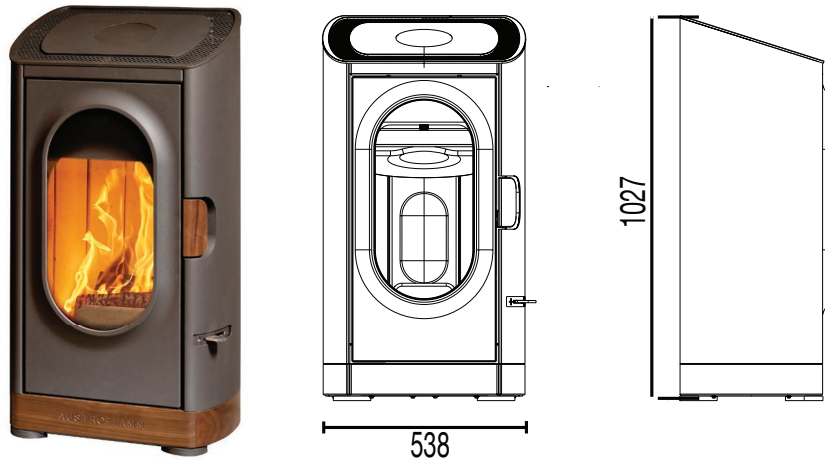


Clou Xtra

The Clou Xtra by Austroflam combines proven heat storage technology with exceptional design. Xtra technology guarantees you more hours of heat storage without the need for refilling. The large firebox of approx. 390mm (h) x 432 mm (w) x 245 mm (d) is closed off by an equally large fire door, the main feature being the round design. This allows you to look at the fire as through a porthole. The interior lining of the combustion chamber is made of special ceramic clay that creates a special relationship between thermal insulation and thermal output. The result—a design quickly creating high combustion chamber temperatures!



Woody



DIMENSIONS

Width	538mm
Height	1027mm
Depth	399mm

HEARTH REQUIREMENTS

Thickness (bellis board or similar)	18mm
Width	700mm
Depth*	1050mm

* Depth includes a min 650 in front of the unit

SPECIFICATIONS

Weight	135kilos
Heat output	7.0kW
Approx. heat area up to	8-12sq
Efficiency	64%
Emissions	1.0g/kg
Flue diameter	152mm (6")

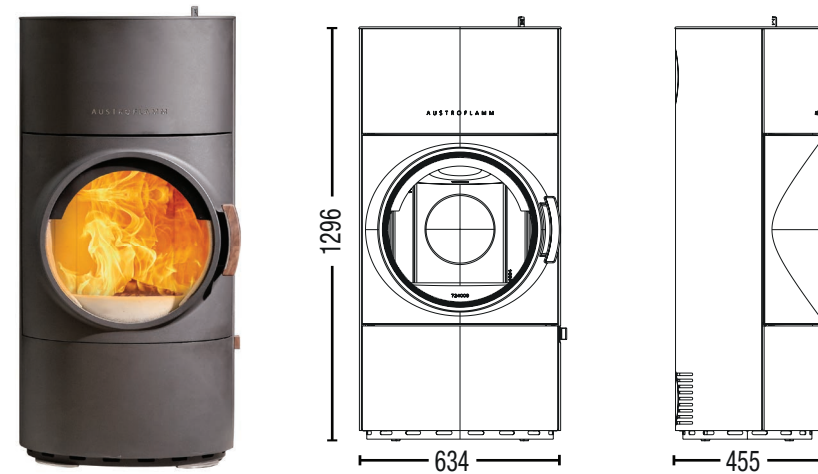
CLEARANCES TO COMBUSTIBLE WALL

with solid 8" flue shield	
Sides	450mm
Rear	600mm

with a 25mm thick skamotec rear wall shield (fixed to wall)

Sides	450mm
Rear	250mm

Clou Xtra



DIMENSIONS

Width	634mm
Height	1296mm
Depth	455mm

HEARTH REQUIREMENTS

Thickness (bellis board or similar)	18mm
Width	890mm
Depth*	1115mm

* Depth includes a min 650 in front of the unit

SPECIFICATIONS

Weight	295kilos
Heat output	10.7kW
Approx. heat area up to	10-15sq
Efficiency	62%
Emissions	1.1g/kg
Flue diameter	152mm (6")

CLEARANCES TO COMBUSTIBLE WALL

with solid 8" flue shield	
Sides	550mm
Rear	275mm

with a 25mm thick skamotec rear wall shield (fixed to wall)

Sides	550mm
Rear	125mm

The information in this brochure is to assist you in your choice of a suitable fire. It is not intended to be all the information required to install the fire and does not replace the installation manual which provides more detailed information. In the interest of product development Austroflamm reserves the right to change specifications without prior notice.

Your Austroflamm dealer



Richmond Showroom:
361 Swan Street, Richmond 3121

Bayside Showroom:
148-150 Cochrans Rd, Moorabbin 3189

03 99 777 888 www.livingfire.com.au

