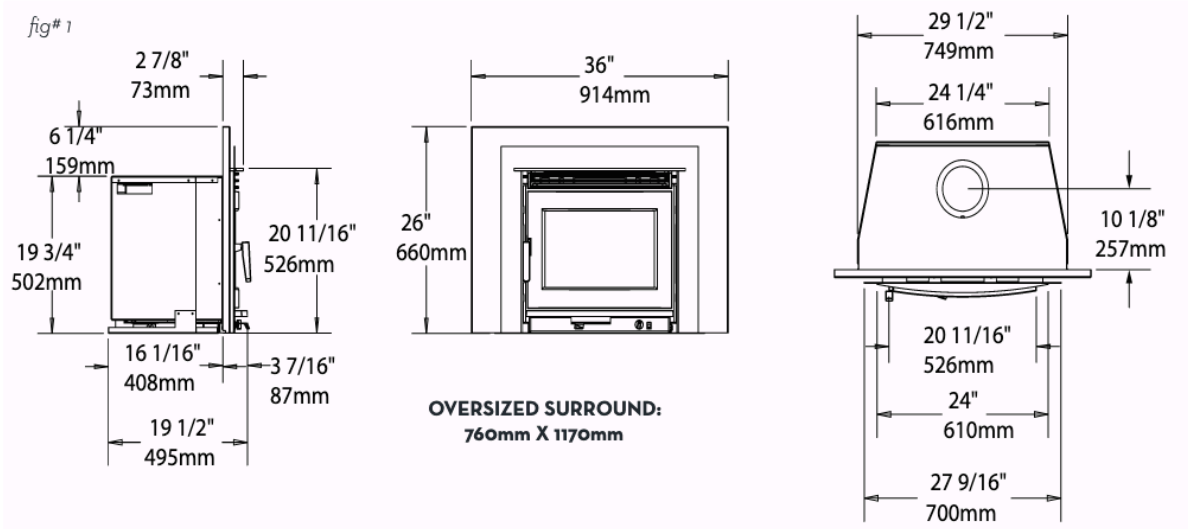
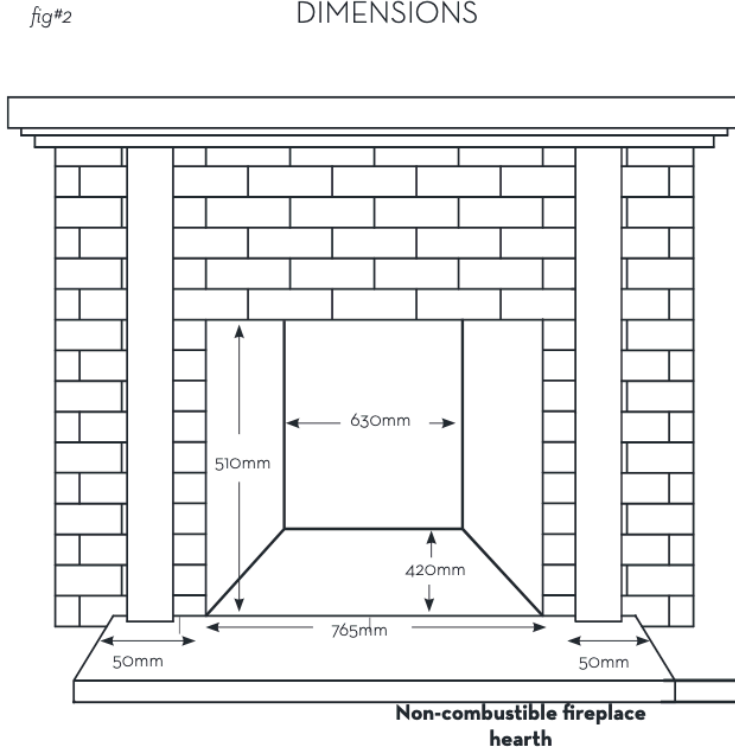




# Dimensions



## MINIMUM FIREPLACE OPENING AND HEARTH DIMENSIONS



NON COMBUSTIBLE HEARTH  
MUST EXTEND OUT 500MM  
FROM THE LOADING DOOR  
OPENING.

