

LF LIVING FIRE
PAUL AGNEW | 2011

Richmond Showroom:
361 Swan Street, Richmond 3121

Bayside Showroom:
148-150 Cochrans Rd, Moorabbin 3189

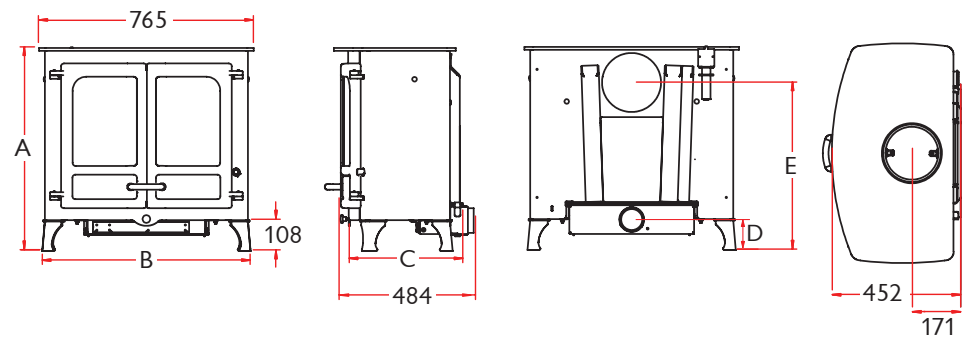
03 99 777 888 www.livingfire.com.au




ISLAND III *blu*



The Charnwood Island III is the largest stove in the Island collection. Its majestic proportions make it ideal for larger rooms and open plan areas. Exuding a rated 12kW of heat, this is a stove that can take an incredible log length of over half a metre. The Island III offers a spectacular view of the fire. A true wide-screen experience. Optional convection panels are also available. This model is SIA Ecodesign ready (blu).

RATED OUTPUT
12kW to room (range 8-16kW)
NET EFFICIENCY
79%
FLUE OUTLET
Top or Rear 178mm (7") dia
MAX LOG LENGTH
550 mm (21.5")
MIN DISTANCE TO COMBUSTIBLES
Side: 600mm Rear: 600mm With panels / heatshield - Side: 335mm Rear: 335mm



		A	B	C	D	E	WEIGHT
LOW LEGS		713	732	400	107	588	180KG
HIGH LEGS		795	750	400	189	670	184KG
STORE STAND		945	714	309	339	820	197KG