

iléktró

MKIII USER INSTRUCTIONS AND INSTALLATION MANUAL



Version 1 02/10/23

Contents of manual may be updated without notice.

For the latest version of this manual please refer to our
website: www.paulagnewdesigns.com.au

IMPORTANT NOTE

THE HEATER OUTLET GRILLE BECOMES VERY HOT WHILST IN OPERATION. DO NOT COVER THE OUTLET GRILLE OR ANY PART OF THE APPLIANCE. FOR USE WITH 230V - 240V 50HZ ELECTRICITY SUPPLY ONLY. PLEASE READ THESE INSTRUCTIONS CAREFULLY BEFORE INSTALLATION KEEP THE INSTRUCTIONS IN A SAFE PLACE. THEY WILL BE NEEDED WHEN MAINTENANCE OR SERVICING IS REQUIRED. THIS APPLIANCE MUST BE EARTHED.

PAUL AGNEW

DESIGNS

USER MANUAL

CONTENTS

THIS MANUAL COVERS THE FOLLOWING MODELS ONLY:
950A, 950LT, 950 L, 1250 L, 1650 L, 2000 L, 2600 L

A - ASPECT
L - LANDSCAPE

BOX CONTENTS	3
HOW TO USE YOUR APPLIANCE	
1. IMPOTANT SAFETY INFORMATION	4
2. APP CONNECTING INSTRUCTIONS	6
3. REMOTE CONTROL INSTRUCTIONS	13
4. OPERATING INSTRUCTION	14
5. MAINTENANCE AND CARE	15
HOW TO INSTALL YOUR APPLIANCE	
6. TECHNICAL SPECIFICATION	16
7. GENERAL INSTALLATION	17
8. CONFIGURING YOUR WINDOW	18
9. INSTALLATION	19
10. SETTING THE FUEL BED	23
11. ELECTRICAL CONNECTION	24
SERVICING INSTRUCTIONS	
12. GENERAL INFORMATION	25
13. FAULT FINDING	26
14. SERVICING REQUIREMENTS	27
15. REMOVING THE GLASS	28
REFERENCE INFORMATION	
16. WIRING DIAGRAM	31
17. EXPLODED DIAGRAM	35

TERMS AND CONDITIONS WARRANTY

148 COCHRANES ROAD, MOORABBIN,
VICTORIA 3189

FULL TERMS AND CONDITIONS ARE DETAILED IN THE WARRANTY STATEMENT ON THE WEBSITE WWW.PAULAGNEWDESIGNS.COM.AU.

IN THE EVENT OF ANY CONFLICT OF INFORMATION THE WORDING ON THE WEBSITE SHALL PREVAIL. IMPORTANT NOTE: SHOULD ANY PROBLEMS BE EXPERIENCED WITH YOUR PRODUCT, CLAIMS MUST FIRST BE SUBMITTED TO THE RETAILER WHERE THE APPLIANCE WAS PURCHASED FROM WHO WILL OFFER IMMEDIATE ASSISTANCE.

REGISTRATION NUMBER:
IN ACCORDANCE WITH EUROPEAN DIRECTIVE 2012/19/ EU, WASTE ELECTRICAL AND ELECTRONIC EQUIPMENT (WEEE) MUST NOT BE DISPOSED OF WITH HOUSEHOLD WASTE. AT THE END OF ITS USEFUL LIFE PLEASE TAKE THIS PRODUCT TO AN APPROPRIATE RECYCLING CENTRE OR COLLECTION POINT. YOU CAN FIND

YOUR NEAREST RECYCLING CENTRE BY USING THE BANK LOCATOR AT
WWW.RECYCLE-MORE.CO.UK FOR UK CUSTOMERS,
WWW.ACOR.ORG.AU FOR AUSTRALIA CUSTOMERS
WWW.WEEEIRELAND.IE FOR CUSTOMERS IN THE REPUBLIC OF IRELAND, OR BY CONTACTING YOUR LOCAL AUTHORITY



BOX CONTENTS

PLEASE CHECK THAT THE FOLLOWING COMPONENTS ARE INCLUDED WITHIN THE BOX. IF ANYTHING IS MISSING OR DAMAGED, PLEASE CONTACT THE RETAILER AND DO NOT USE THE APPIANCE UNTIL YOU HAVE EVERYTHING.

- APPLIANCE WITH TRAILING LEAD WITH MOULDED 13AMP
- PLUG REMOTE CONTROLHANDSET AND BATTERIES.
- FIXING BRACKETS/SIDE PLATE BEADS.
- INSTRUCTION MANUAL.
- LOG SET.
- GLASS REMOVAL SUCTION PAD(S).
- MAGNET TOOL.
- BLACK COAL.
- BLACK EMBER CRYSTALS.

HOW TO USE YOUR APPLIANCE

1. IMPORTANT SAFETY INFORMATION

- READ ALL OF THE INSTRUCTIONS CAREFULLY BEFORE USING THE APPLIANCE. INSTRUCTIONS ARE AVAILABLE ONLINE AT WWW.PAULAGNEWDESIGNS.COM
- REMOVE ALL PACKAGING AND DISPOSE OF AT AN APPROPRIATE RECYCLING FACILITY.
- DO NOT USE THIS APPLIANCE IN THE IMMEDIATE SURROUNDINGS OF A BATH, SHOWER, SWIMMING POOL OR ANY OTHER AREA WHERE THE APPLIANCE COULD COME INTO CONTACT WITH WATER OR HUMIDITY, E.G. A BATHROOM.
- DO NOT ALLOW THE APPLIANCE TO BE COVERED OR LET THE AIR INLET/OUTLET BECOME OBSTRUCTED AS THE APPLIANCE MAY OVERHEAT. PLEASE NOTE THE WARNING SYMBOL ON THE APPLIANCE. FOR INDOOR USE ONLY. THIS APPLIANCE IS NOT SUITABLE FOR USE OUTSIDE THE HOUSE.
- KEEP THE POWER CORD AWAY FROM HOT SURFACES AND HOT CONDITIONS. DO NOT ROUTE THE POWER LEAD IN FRONT OF THE APPLIANCE.
- THIS APPLIANCE MUST BE INSTALLED IN A PURPOSE BUILT STUD-WORK ENCLOSURE OR A SUITABLY PREPARED FIREPLACE
- ENSURE THE APPLIANCE IS LEVEL AND THAT FURNITURE, CURTAINS ETC. ARE POSITIONED NO CLOSER THAN 1M.
- WHEN THE APPLIANCE HAS BEEN INSTALLED THE POSITION OF THE PLUG MUST BE ACCESSIBLE OR AN ISOLATION SWITCH WILL BE INSTALLED AWAY FROM THE APPLIANCE.
- WHERE THE ELECTRICITY SUPPLY CABLE HAS TO PASS THROUGH A MASONRY WALL, STONE SURROUND ETC. ENSURE SUITABLE RUBBER BUSHES ARE FITTED AT POSSIBLE WEAR POINTS.
- **NEVER** LEAVE CHILDREN UNSUPERVISED WITH AN UNGUARDED HEATER.
- **NEVER** OBSTRUCT OR COVER THE HEATER OUTLET.
- **NEVER** INSTALL OR USE THIS PRODUCT WHERE IT MAY COME IN CONTACT WITH WATER I.E. A BATHROOM OR WET ROOM.
- **NEVER** USE AEROSOLS OR STEAM CLEANERS NEAR THIS PRODUCT.
- **NEVER** ROUTE THE ELECTRIC CABLE NEAR THE HEATER OUTLET.
- **NEVER** ROUTE THE ELECTRIC CABLE UNDER CARPETS OR FLOOR COVERINGS.
- **NEVER** INSTALL THIS PRODUCT CLOSE TO CURTAINS OR COMBUSTIBLE MATERIALS.
- **NEVER** USE THE HEATER TO DRY CLOTHES OR OTHER OBJECTS.
- **NEVER** REMOVE THE FIREPLACE SURROUNDING WITHOUT ISOLATING THE ELECTRIC SUPPLY.

HOW TO USE YOUR APPLIANCE

1. IMPORTANT SAFETY INFORMATION

- IF THE ELECTRICITY SUPPLY CABLE IS DAMAGED DO NOT USE THE APPLIANCE UNTIL IT HAS BEEN REPLACED. FOR SAFETY REASONS THE REPLACEMENT HAS TO BE CARRIED OUT BY A SERVICE AGENT OR A SIMILARLY COMPETENT ELECTRICIAN.
- CAUTION: IN ORDER TO AVOID A HAZARD DUE TO INADVERTENT RESETTING OF THE THERMAL CUT OUT, THIS APPLIANCE MUST NOT BE SUPPLIED THROUGH AN EXTERNAL SWITCHING DEVICE, SUCH AS A TIMER, OR CONNECTED TO A CIRCUIT THAT IS REGULARLY SWITCHED ON AND OFF BY THE UTILITY
- DO NOT OPERATE THE APPLIANCE IF IT IS DAMAGED.
- REPAIRS OF ELECTRICAL APPLIANCES MUST ONLY BE PERFORMED BY AN ELECTRICAL ENGINEER. SHOULD THE APPLIANCE FAIL TO OPERATE, OR IN CASE OF ANY DAMAGE, PLEASE CONTACT THE RETAILER FROM WHOM THE APPLIANCE WAS PURCHASED.
- **CAUTION:** SOME PARTS OF THIS PRODUCT CAN BECOME VERY HOT AND CAUSE BURNS. PARTICULAR ATTENTION MUST BE GIVEN WHERE CHILDREN AND VULNERABLE PEOPLE ARE PRESENT.
- CHILDREN AGED FROM 3 YEARS AND LESS THAN 8 YEARS SHALL ONLY SWITCH ON/OFF THE APPLIANCE PROVIDED THAT IT HAS BEEN PLACED OR INSTALLED IN ITS INTENDED NORMAL OPERATING POSITION AND THEY HAVE BEEN GIVEN SUPERVISION OR INSTRUCTION CONCERNING USE OF THE APPLIANCE IN A SAFE WAY AND UNDERSTAND THE HAZARDS INVOLVED. CHILDREN AGED FROM 3 YEARS AND LESS THAN 8 YEARS SHALL NOT PLUG IN, REGULATE AND CLEAN THE APPLIANCE OR PERFORM USER MAINTENANCE

IF YOU ARE INSTALLING YOUR APPLIANCE IN TO AN EXISTING CHIMNEY CAVITY

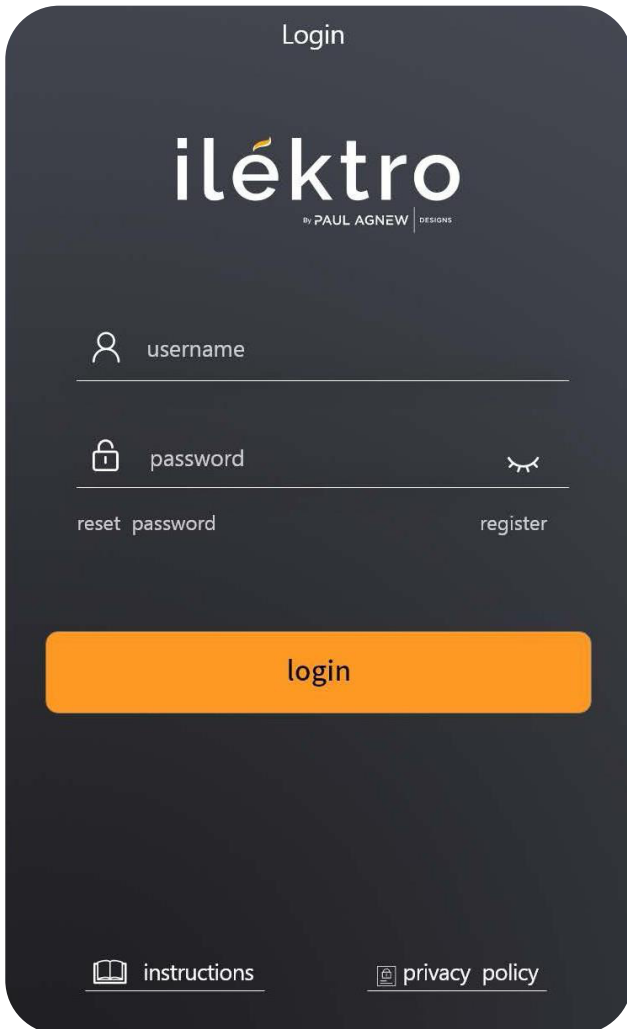
- ENSURE THE FLOOR AREA THE APPLIANCE WILL SIT ON IS FLAT AND FREE FROM LOOSE MATERIAL
- ENSURE THE FLUE OUT FROM THE CHIMNEY CAVITY IS SEALED
- IN ORDER TO INSTALL YOUR APPLIANCE EFFECTIVELY DISCUSS WITH YOUR SELLER THE SURROUND NEEDED TO ENCLOSE YOUR APPLIANCE INTO THE INSTALLATION LOCATION
- TO PROVIDE POWER TO THE APPLIANCE INSTRUCT A QUALIFIES ELECTRICIAN TO INSTALL AND POWER SOCKET INSIDE THE CHIMNEY CAVITY, ENSURING THERE IS AN ISOLATION SWITCH ACCESSIBLE OUTSIDE THE CAVITY

HOW TO USE YOUR APPLIANCE 2. APP CONNECTING INSTRUCTIONS

APP DOWNLOAD

- DOWNLOAD "ilektro" FROM THE APP STORE
- SEARCHING (ilektro fireplace) FROM THE APP STORE
- TURN ON THE BLUETOOTH FROM YOUR MOBILE DEVICE

Note: Make sure your mobile phone is well connected to the nearest 2.4GHz WIFI signal, not the 5GHz signal.



Login

ilektro
by PAUL AGNEW | DESIGNS

username

password

reset password register

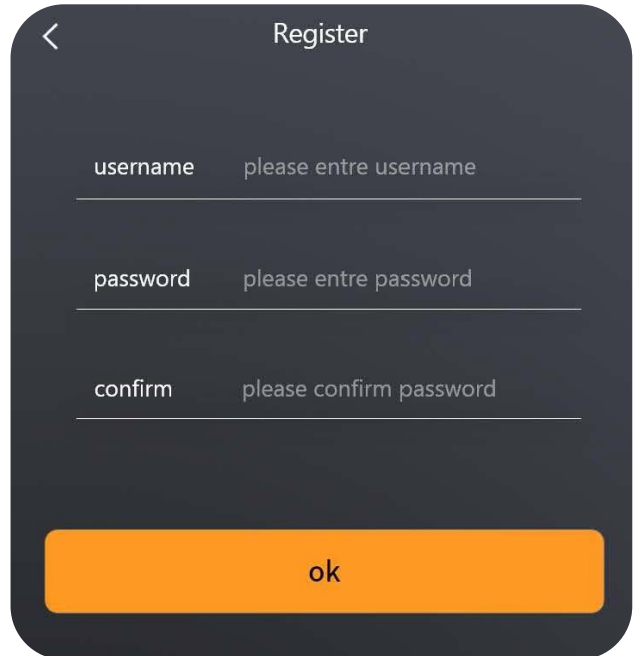
login

instructions privacy policy

LOG IN

- OPEN THE ilektro APP, WAIT A MOMENT FOR THE ilektro APP TO INITIATE AND THEN IT WILL ASK YOU TO CREATE AN ACCOUNT OR LOG IN TO YOUR EXISTING ACCOUNT.

- REGISTER WITH YOUR EMAIL ID OR MOBILE PHONE NUMBER AS THE USERNAME.
- PUT ANY 6 TO 20 DIGIT NUMBERS AS PASSWORD.
- AGREE TO THE TERMS AND CONDITIONS.
- DURING THE PROCESS YOU MAY BE ASKED TO ALLOW THE APP TO KNOW YOUR LOCATION. THIS IS A REQUIREMENT OF THE DEVICE. THE APP WILL ONLY WORK IF YOU ALLOW THIS. THE APP DOES NOT USE THIS INFORMATION IN ANY WAY.



Register

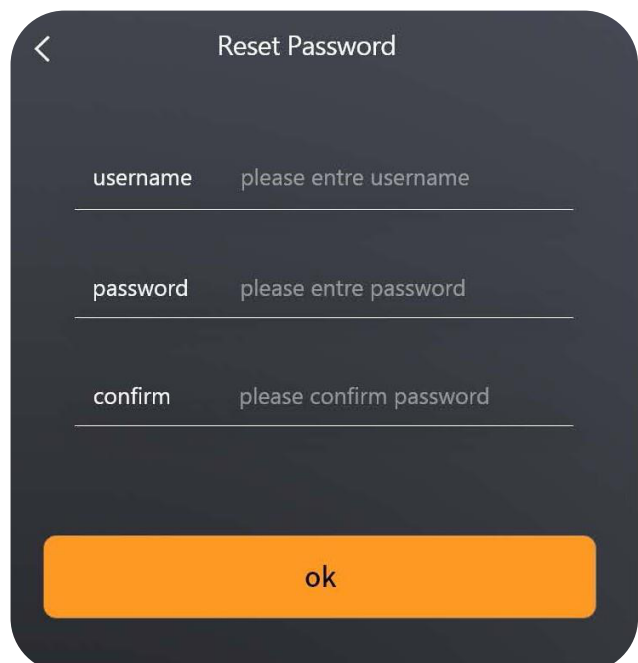
username please entre username

password please entre password

confirm please confirm password

ok

- YOU CAN ALSO RESET YOUR PASSWORD IN THIS INTERFACE



Reset Password

username please entre username

password please entre password

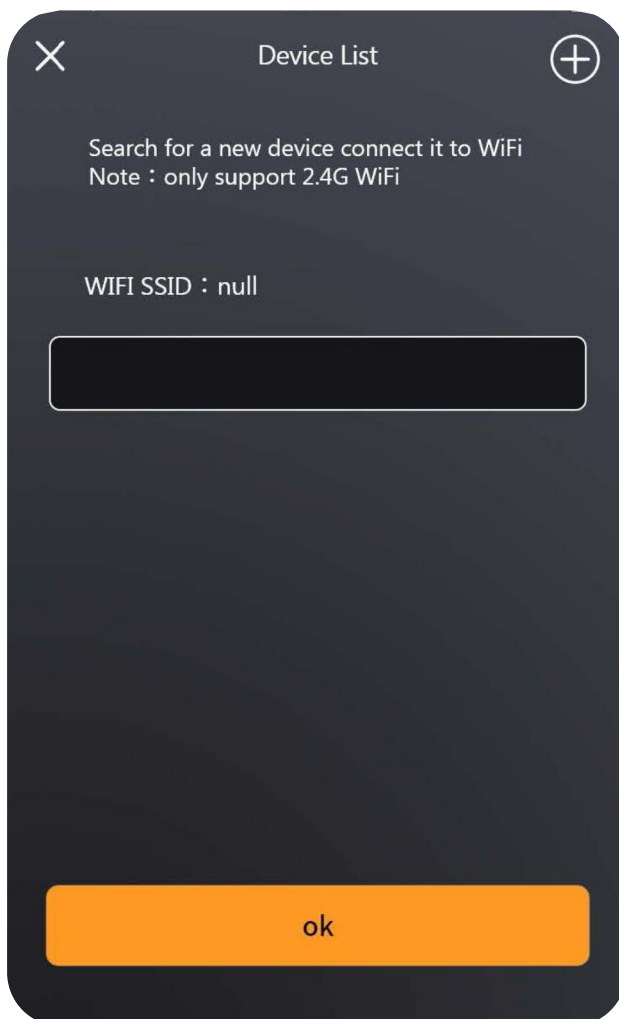
confirm please confirm password

ok

HOW TO USE YOUR APPLIANCE 2. APP CONNECTING INSTRUCTIONS

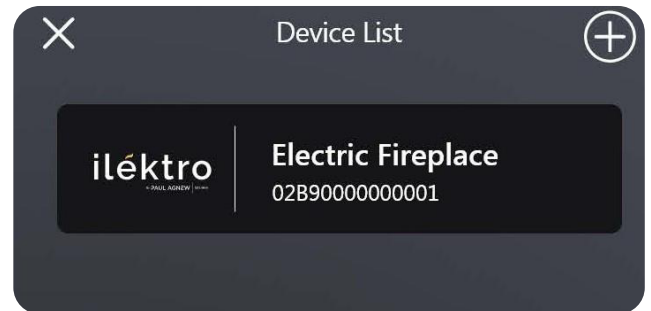
CONNECTING

- AIM THE REMOTE CONTROL AT THE FIREPLACE, PRESS AND HOLD THE POWER SWITCH BUTTON FOR 5 SECONDS. THE FIREPLACE WILL DISPLAY "P0".
- FIRST CONNECTION SHOULD TURN ON BLUETOOTH. DO NOT CONNECT THE PHONE TO OTHER BLUETOOTH DEVICES.
- ADD THE DEVICE BY PRESSING THE "+". THEN ENTER THE WIFI PASSWORD FOR CONNECTING (NOTE: THE PHONE CAN ONLY CONNECT TO 2.4GHz WIFI AT THAT TIME)



CONNECTING SUCCESSFULLY

THE FIREPLACE WILL DISPLAY "P4" AFTER YOUR FIREPLACE WELL CONNECTED. THE NAME OF THE FIREPLACE APPEARS ON THE PHONE. CLICK THE NAME OF THE ELCTRIC FIREPLACE TO ENTER THE OPERATION INTERFACE.



HOW TO USE YOUR APPLIANCE 2. APP CONNECTING INSTRUCTIONS

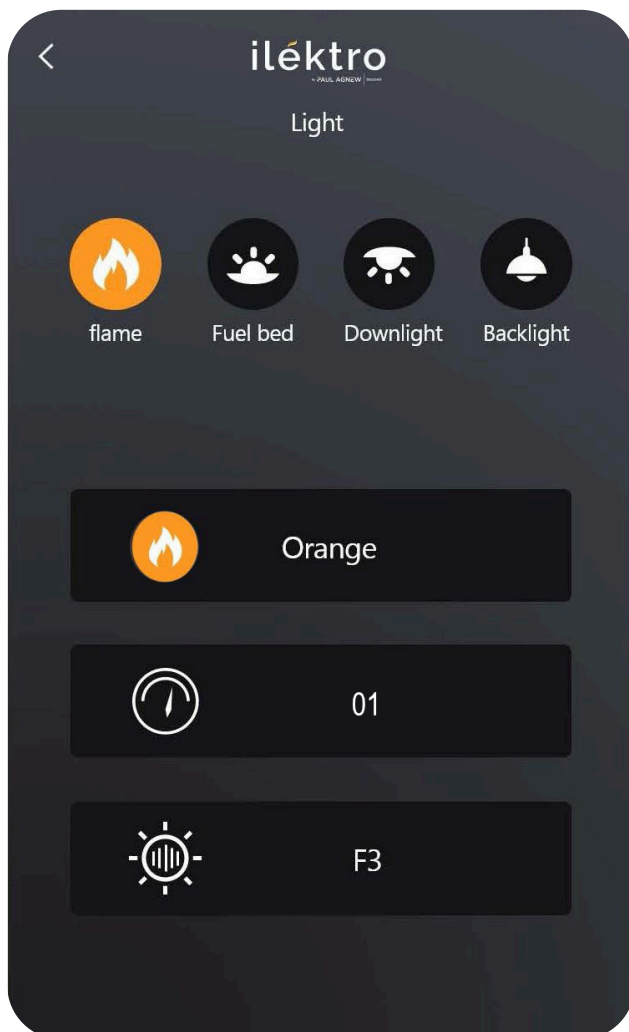
CONNECTING FAILURE

- PLEASE REPEAT FROM STEP 1 TO STEP 4

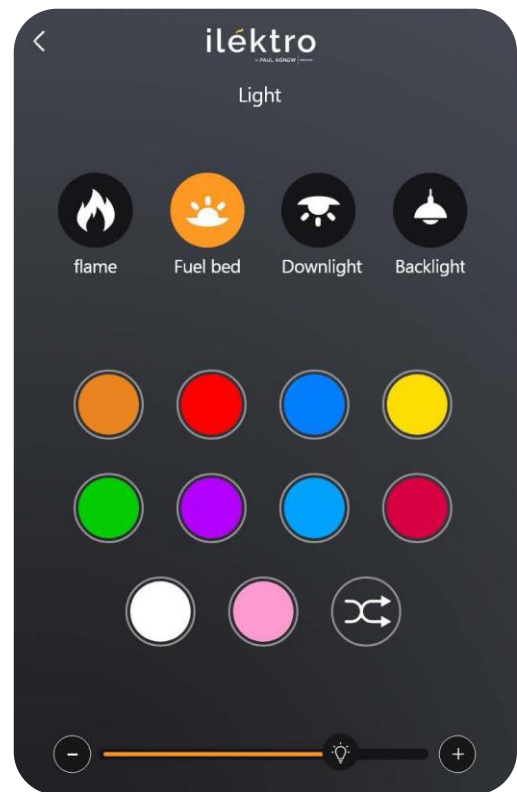
FUNCTIONS

LIGHT FUNCTIONS

- YOU CAN CHANGE THE COLOUR AND BRIGHTNESS OF THE FLAME.



- YOU CAN CHANGE THE COLOUR OF FUEL BED.



- YOU CAN CHANGE THE COLOUR OF THE DOWNLIGHT.



HOW TO USE YOUR APPLIANCE 2. APP CONNECTING INSTRUCTIONS

HEAT FUNCTION

- CHOOSE FOR H1: 1KW OF HEAT OR H2: 2KW OF HEAT (H0: 0KW)



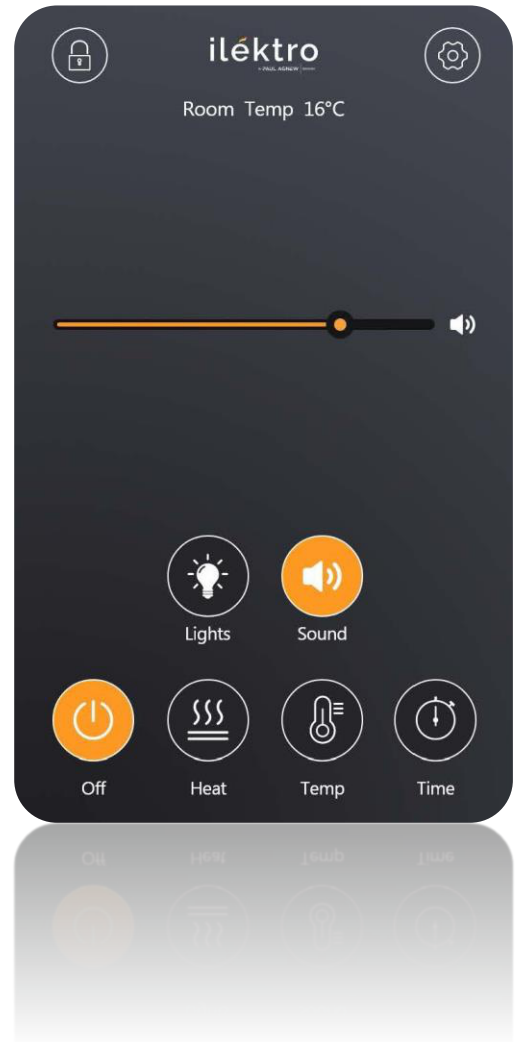
TEMPERATURE FUNCTION

- YOU CAN SET THE TARGET TEMPERATURE; THE FIRE WILL AUTOMATICALLY CONTROL ITS HEATER TO WARM YOUR ROOM TO THAT TEMPERATURE AND MAINTAIN IT AROUND THAT TEMPERATURE.



SOUND FUNCTION

- YOU CAN ADJUST THE VOLUME OF FIRE WOOD CRACKLING THROUGH THIS FUNCTION

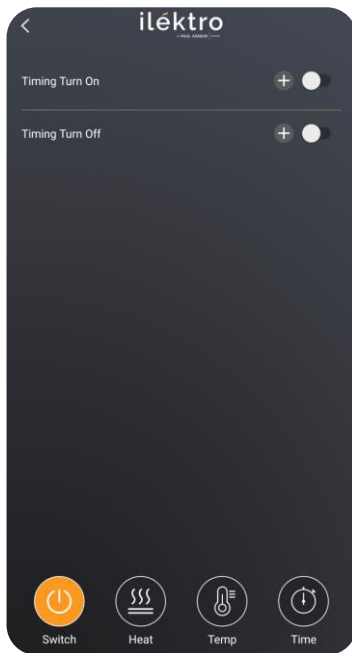


- ❖ YOUR APP WILL AUTOMATICALLY TAKE THE DAY AND TIME FROM YOUR PHONE OR TABLET. IF YOU ARE SETTING YOUR FIRE UP IN A DIFFERENT TIME ZONE TO THE ONE YOUR PHONE OR TABLET WAS SET UP IN, THEN FIRST SELECT "DATE & TIME" FROM THE SETTINGS MENU AND CHOOSE THE TIME ZONE YOUR FIRE IS LOCATED IN.

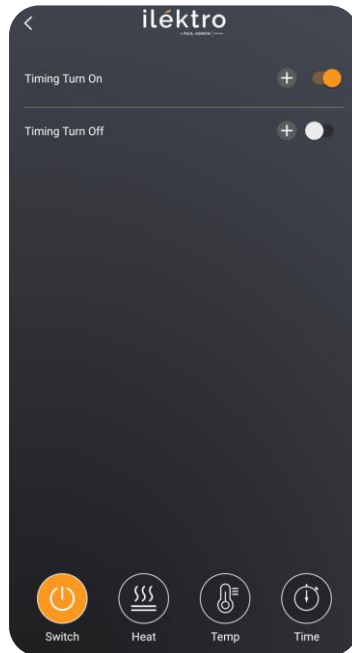
NOW SELECT "7-DAY PROGRAMME" FROM THE SETTINGS MENU AND PROCEED AS FOLLOWS:

- TURN ON THE "USE 7-DAY PROGRAMME".
 - SELECT WHETHER YOU WISH TO CONTROL THE FLAME PICTURE ONLY OR THE FLAME PICTURE AND THE HEATING TOGETHER.
 - SELECT THE DAYS YOU WISH TO CONTROL. THERE ARE "BULK" OPTIONS OF "WEEKDAYS", "WEEKENDS" OR "EVERYDAY" OR YOU MAY WISH TO SET EACH DAY SEPARATELY BY SIMPLY SELECTING THE INITIAL LETTER OF THE DAY YOU WISH TO SET.
 - NOW SET THE TIMES AT WHICH YOU WOULD LIKE YOUR FIRE TO OPERATE. ON/OFF FOR "PERIOD 1" BY TOUCHING THE "TIME ON" AND "TIME OFF" BOXES IN TURN.
 - SET THE TARGET TEMPERATURE YOU WOULD LIKE YOUR FIRE TO HEAT THE ROOM TO. THIS OPTION WILL NOT APPEAR IF YOU HAVE ELECTED TO CONTROL THE FLAME PICTURE ONLY AT B ABOVE.
 - IF YOU WOULD LIKE TO CONTROL YOUR FIRE FOR A SECOND PERIOD ON THE SAME DAY(S) THEN FOLLOW THE SAME PROCESS FOR "PERIOD 2".
 - IT IS ESSENTIAL TO TOUCH THE "CONFIRM" BUTTON AT THE BOTTOM OF THIS SCREEN TO SET THE PROGRAMME.**
- ❖ YOU WILL NOTICE THAT ANY SCREEN YOU NAVIGATE TO ONCE YOU HAVE SET THE 7-DAY PROGRAMMER WILL HAVE THE ILLUMINATED CALENDAR ICON AT THE TOP RIGHT-HAND SIDE OF EACH SCREEN. THIS IS A QUICK REFERENCE FOR YOU TO CHECK IF YOUR FIRE HAS THE 7-DAY PROGRAMME SET OR NOT. YOU CAN TOUCH THE CALENDAR ICON TO NAVIGATE QUICKLY TO THE 7-DAY TIMER SCREEN.
 - ❖ TO CANCEL THE 7-DAY PROGRAMMER, TURN OFF THE "USE 7-DAY PROGRAMME" SWITCH AND PRESS THE "CONFIRM" BUTTON. YOUR PREVIOUS SETTINGS WILL BE RETAINED IN CASE YOU WOULD LIKE TO TURN THE 7-DAY PROGRAMMER BACK ON AT SOME FUTURE STAGE.
 - ❖ TO REVIEW YOUR SETTINGS, RETURN TO THE 7-DAY PROGRAMME SCREEN AND TOUCH EACH DAY IN TURN AND REVIEW THE SETTINGS FOR EACH DAY ONE-AT-A-TIME. YOU MAY REVIEW ONE DAY'S SETTING AT TIME ALLOWING YOU TO MAKE FINE ADJUSTMENTS TO EACH DAY AS YOU REQUIRE.
 - ❖ IF YOU DO MAKE ADJUSTMENTS, PLEASE ENSURE THAT YOU "CONFIRM" YOUR NEW SETTINGS BEFORE EXITING THIS SCREEN.

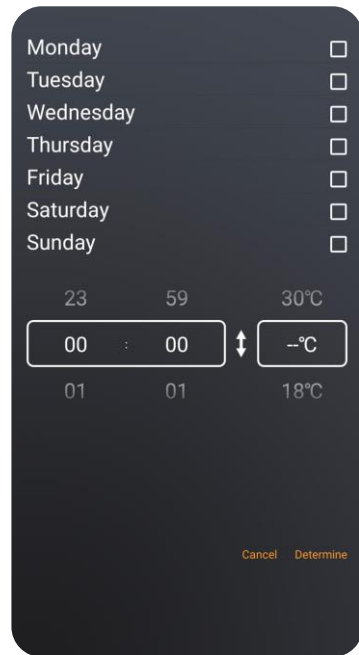
STEP: 01



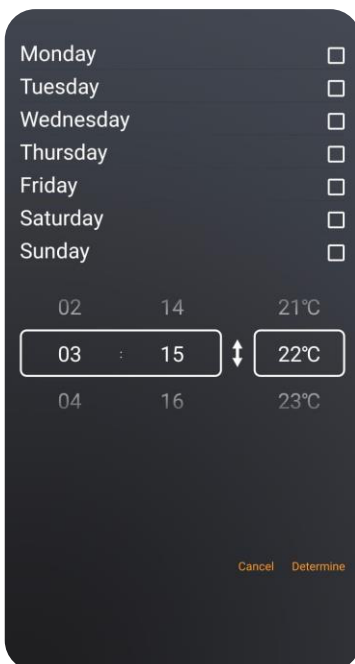
STEP: 02



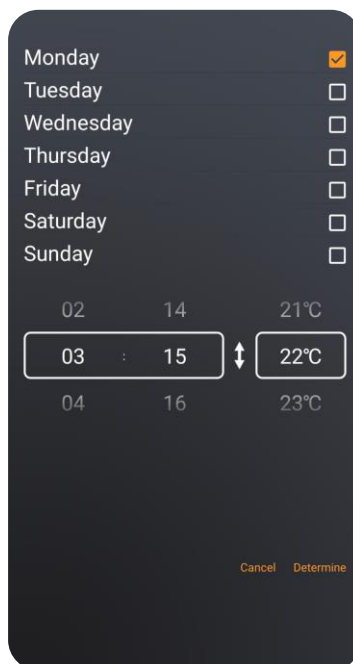
STEP: 03



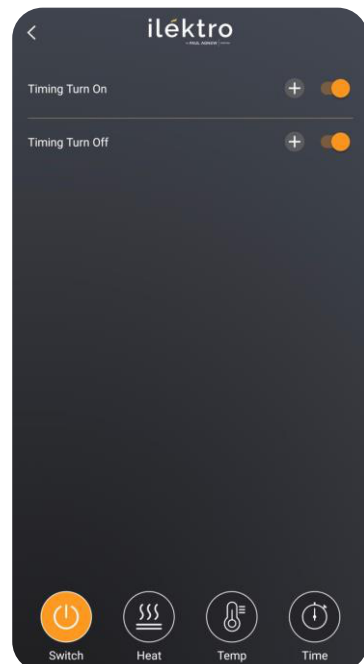
STEP: 04



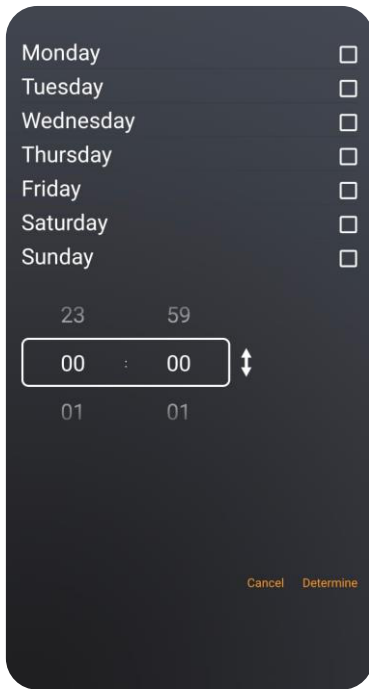
STEP: 05



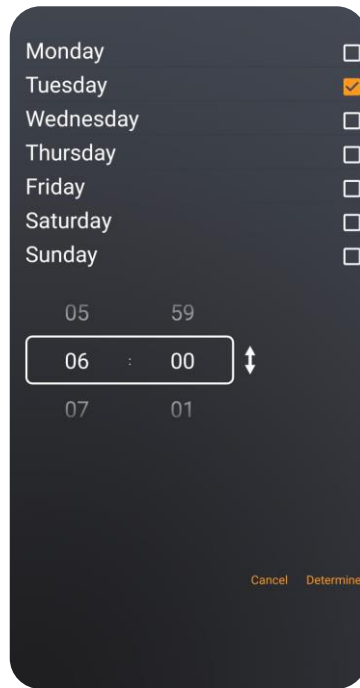
STEP: 06



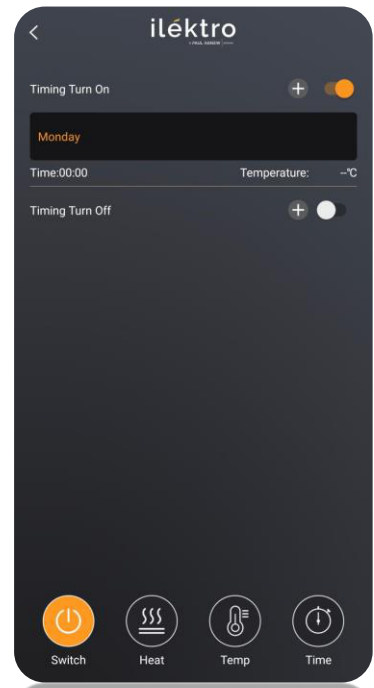
STEP: 07



STEP: 08



STEP: 09



HOW TO USE YOUR APPLIANCE 3. REMOTE CONTROL BUTTONS AND DISPLAY



1. POWER SWITCH

ON/OFF THE POWER

2. FLAME BRIGHTNESS

FIVE FLAME BRIGHTNESS SETTINGS: F5-F4-F3-F2-F1

3. COLOUR OF FLAME

ORANGE; RED; YELLOW; ORANGE-YELLOW; RED-YELLOW.

4. BRIGHTNESS OF TOPLIGHT

L5-L4-L3-L2-L1, L5 IS THE BRIGHTEST, L1 TURN OFF THE TOPLIGHT

5. COLOUR OF TOPLIGHT

TEN COLOURS OF TOPLIGHT SETTINGS: 01 ORANGE, 02 RED, 03 BLUE, 04 YELLOW, 05 GREEN, 06 PURPLE, 07 SKY BLUE, 08 CARMINE, 09 WHITE, 10 PINK, 11 ALL COLOUR CYCLE

6. BRIGHTNESS OF FUEL BED

FIVE FUEL BED BRIGHTNESS SETTINGS: F5-F4-F3-F2-F1, F5 IS THE BRIGHTEST, F1 TURN ON THE PULSATING FUNCTION

7. FUEL BED COLOUR

TEN COLOURS OF FUEL BED SETTINGS: 01 ORANGE, 02 RED, 03 BLUE, 04 YELLOW, 05 GREEN, 06 PURPLE, 07 SKY BLUE, 08 CARMINE, 09 WHITE, 10 PINK, 11 ALL COLOUR CYCLE

8. SOUND SETTINGS

3 SOUND SETTINGS: 0 OFF THE SOUND, 1 LOW SOUND, 2 LOUD SOUND

9. SPEED OF FLAME

3 FLAME SPEED SETTINGS: 1 LOW SPEED, 2 INTERMEDIATE SPEED, 3 HIGH SPEED

10. HEATING

H0 HEATING OFF, H1 LOW HEATING, H2 HEATING HIGH.

INHIBITION OF HEAT FUNCTION: LONG PRESS THE HEATING BUTTON FOR 5 SECONDS, DISPLAY L0, THE PRODUCT CANNOT BE HEATED AT THIS TIME, HEATING AND TEMPERATURE SETTINGS ARE INVALID, LONG PRESS THE HOT KEY FOR 5 SECONDS OR TURN OFF THE POWER TO TURN OFF AND REMOVE THE INHIBITION OF HEAT FUNCTION.

11. TIMING

POWER OFF FOR 30 MINUTES TO 8 HOURS

30-1H-2H-3H-4H-5H-6H-7H-8H-00

00 IS A TIMED SHUTDOWN

12. TEMPERATURE SETTINGS

18 °, 19 °, 20 °, 21 °, 22 °, 23 °, 24 °, 25 °, 26 °, 27 °, 28 °, 29 °, 30 °, C. C IS SET FOR THE SHUTDOWN TEMPERATURE.

HOW TO USE YOUR APPLIANCE

4. OPERATING INSTRUCTIONS

THERMAL SAFETY CUT OUT

IF THE SAFETY CUT OUT FOR THE HEATER TRIPS THE APPLIANCE HAS OVERHEATED.

IF THIS HAPPENS:

- SWITCH OFF THE DEVICE FROM THE ISOLATION SWITCH AND ALLOW IT TO COOL DOWN FOR A MINIMUM OF 2 HOURS
- CHECK THE HEATER OUTLET VENTS FOR ANY OBSTRUCTION AND CLEAR IF NECESSARY. SEE MAINTENANCE SECTION FOR GUIDANCE
- PLUG IN THE APPLIANCE AND SWITCH IT ON. THE CUT OUT WILL RESET AND THE APPLIANCE SHOULD FUNCTION NORMALLY.
- IF THE APPLIANCE CONTINUES TO NOT FUNCTION CORRECTLY, CONTACT THE RETAILER OR PLACE OF PURCHASE.

HOW TO USE YOUR APPLIANCE

5. MAINTENANCE AND CARE

THE AIR INLET GRILLES ON THE TOPSIDE AND BACK OF THE APPLIANCE SHOULD BE UNOBSTRUCTED. FREE AIR NEEDS TO CIRCULATE IN THIS AREA.

ALWAYS SWITCH OFF THE APPLIANCE FROM THE ISOLATION SWITCH BEFORE CLEANING OR UNDERTAKING AND MAINTENANCE.

GENERAL CLEANING

- ONLY CLEAN THE GLASS WHEN ITS COLD
- DO NOT USE ABRASIVE CLEANERS ON ANY PART OF THE APPLIANCE
- USE A LINT FREE CLOTH TO WIPE ANY SURFACES
- DO NOT SPRAY CLEANER INTO THE APPLIANCE

CLEANING THE FUEL BED

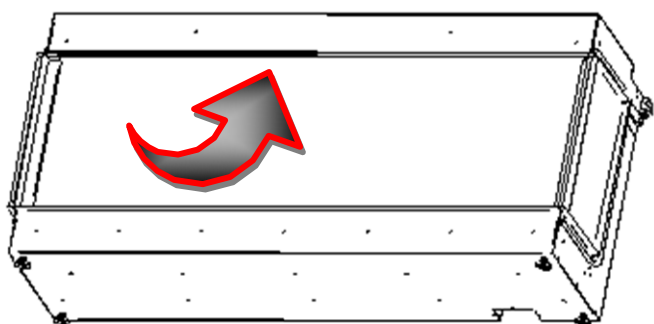
TO ACCESS THE FUEL EFFECT IT WILL BE NECESSARY TO REMOVE THE FRONT GLASS VIEWING PANEL, SEE SERVICING SECTION

- ENSURE THE APPLIANCE IS SWITCHED OFF AT ISOLATION SWITCH.
- REMOVE THE LOGS AND DUST CLEAN. DO NOT WET THE LOGS.
- USE A LINT FREE DUSTER.
- LIFT ALL FUEL MEDIUM OUT OF THE FIRE AND WIPE FUEL BED DOWN.
- ENSURE NO MOISTURE REMAINS BEFORE RETURNING THE LOGS INTO POSITION. SEE LOG INSTALLATION PROCESS.
- CAUTION: REPLACE FRONT TRIM WHILE REMOVING LOGS AND FUEL MATERIAL TO ENSURE PIECES DO NOT FALL INTO THE APPLIANCE
- REPLACE THE GLASS AND TRIM AS DESCRIBED IN THE SERVICING INSTRUCTION SECTION.

HOW TO USE YOUR APPLIANCE
5. MAINTENANCE AND CARE

CLEANING THE OUTLETS

- ENSURE THE APPLIANCE IS SWITCHED OFF AT THE ISOLATION SWITCH
- CLEAN THE AIR OUTLET GRILLES REGULARLY WITH A SOFT CLOTH OR THE NOZZLE OF A VACUUM CLEANER



- DUST BUILD-UP CAN INHIBIT EFFICIENT PERFORMANCE OF THE FAN AND LEAD TO THE SAFETY CUT-OUT OPERATING.
- KEEP THE AREA AROUND THE APPLIANCE CLEAN AND FREE OF FLUFF, DUST OR PET HAIR.
- IN PARTICULAR, BUILD-UP OF DUST ETC. CAN OCCUR AROUND THE HEATER VENT AREA. TAKE PARTICULAR CARE TO KEEP THIS AREA FREE FROM SUCH PARTICLES ON A REGULAR BASIS TO PREVENT BUILD-UP.

BATTERY REPLACEMENT

WHEN THE REMOTE BATTERIES IS LOW IT MUST BE CHANGED IMMEDIATELY. INSTALL CORRECT REPLACEMENTS AND DISPOSE OF THE OLD BATTERIES CAREFULLY.

**BATTERY REPLACEMENT
REMOTE CONTROL**

BATTERY INFORMATION - SEE FIG. 35

1. SLIDE OPEN THE BATTERY COVER ON THE BACK OF THE REMOTE CONTROL
2. INSTALL AAA BATTERIES INTO THE REMOTE CONTROL
3. REPLACE THE BATTERY COVER



Fig.35

DISCARD LEAKY BATTERIES

DISPOSE OF BATTERIES IN THE PROPER MANNER ACCORDING TO LOCAL REGULATIONS.

ANY BATTERY MAY LEAK ELECTROLYTE IF MIXED WITH A DIFFERENT BATTERY TYPE, IF INSERTED INCORRECTLY, IF ALL THE BATTERIES ARE NOT REPLACED AT THE SAME TIME, IF DISPOSED OF IN A FIRE, OR IF AN ATTEMPT IS MADE TO CHARGE A BATTERY NOT INTENDED TO BE RECHARGED.

**HOW TO INSTALL YOUR
APPLIANCE**
6. TECHNICAL SPECIFICATION

MODEL		950 A	950 LT	950 L	1250 L	1650 L	2000 L	2600 L
WEIGHT KG		43	31	36	56	76	81	121
VOLTAGE		230V 50HZ	230V 50HZ	230V 50HZ	230V 50HZ	230V 50HZ	230V 50HZ	230V 50HZ
BATTERY HANDSET		12V MN 21/23	12V MN 21/24	12V MN 21/25	12V MN 21/26	12V MN 21/27	12V MN 21/28	12V MN 21/28
TRANSMITTER ELECTRICAL POWER CONSUMPTION	FLAME PICTURE ONLY	12W	11W	12W	15W	22W	30W	40W
	HEATING ON	2000 WATT	1400WATT	2000 WATT	2000 WATT	2000 WATT	2000 WATT	2000 WATT
SUPPLY CORD	UK	BS1363 UK13A	BS1363 UK13A	BS1363 UK13A	BS1363 UK13A	BS1363 UK13A	BS1363 UK13A	BS1363 UK13A
	AUSTRALIAN	AS/NZS3112	AS/NZS3112	AS/NZS3112	AS/NZS3112	AS/NZS3112	AS/NZS3112	AS/NZS3112
	EUROPEAN	VDE 0620	VDE 0620	VDE 0620	VDE 0620	VDE 0620	VDE 0620	VDE 0620

NOTE:

WEIGHTS UNIT ONLY NOT INCLUDING PACKAGING
SUITE APPLIANCE (S) WEIGHTS ARE NOT INCLUDING WOODEN SURROUND

THIS APPLIANCE MUST BE EARTHED

THIS APPLIANCE HAS BEEN CERTIFIED FOR USE IN COUNTRIES OTHER THAN THOSE STATED. TO INSTALL THIS APPLIANCE IN THESE COUNTRIES, IT IS ESSENTIAL TO OBTAIN THE TRANSLATED INSTRUCTIONS AND IN SOME CASES THE APPLIANCE WILL REQUIRE MODIFICATION. CONTACT YOUR RETAILER FOR FURTHER INFORMATION.

FOR PRODUCT DIMENSIONS AND INSTALLATION GUIDES FOR BUILDING YOU APPLIANCE INTO A LOCATION, PLEASE GO TO WEBSITE: PAULAGNEWDESIGNS.COM.AU. TO DOWNLOAD THE SPEC SHEET FOR YOUR APPLIANCE

HOW TO INSTALL YOUR APPLIANCE

7. GENERAL INSTALLATION

NOTE: INSTALLATION SHOULD BE CARRIED OUT BY A TRAINED INSTALLATION TECHNICIAN. **IF THE PRODUCT IS INSTALLED INCORRECTLY YOUR WARRANTY MAY BE INVALID.**

IT IS VERY IMPORTANT THAT THE AIR INLET GRILLES ON THE TOPSIDE AND BACK OF THE APPLIANCE ARE UNOBSTRUCTED AND ADEQUATE SPACE IS LEFT TO ALLOW FREE CIRCULATION OF AIR AROUND THIS AREA.

TOOLS REQUIRED

A SCREWDRIVER, SPIRIT LEVEL, SPANNER M5 8mm, M4 7mm AND DRILL MAY BE NEEDED.

UNPACKING THE FIREPLACE

WARNING! DO NOT USE THIS APPLIANCE IF ANY PART HAS BEEN EXPOSED TO WATER. IMMEDIATELY CALL A QUALIFIED SERVICE TECHNICIAN TO INSPECT AND TO REPLACE ANY PART OF THE ELECTRICAL SYSTEM IF NECESSARY.

- CAREFULLY UNPACK THE APPLIANCE. TAKE CARE NOT TO DAMAGE THE SURFACE OF THE APPLIANCE OR THE INSTALLATION AREA. KEEP PLASTIC WRAPPING AWAY FROM CHILDREN. BE RESPONSIBLE WHEN HANDLING THE PACKING MATERIALS.
- CHECK ALL PARTS AND ACCESSORIES ARE REMOVED BEFORE DISPOSING OF ANY PACKAGING.
- IF NECESSARY, KEEP THE ORIGINAL PACKAGING FOR FUTURE TRANSPORT AND/OR STORAGE.

FITTING THE APPLIANCE

TAKE CARE WHEN LIFTING THE APPLIANCE, OBTAIN ASSISTANCE IF REQUIRED AND ALWAYS FOLLOW SAFE MANUAL HANDLING TECHNIQUES.

WHEN IN DOUBT CONSULT YOUR RETAILER OR SUITABLY QUALIFIED PERSON.

INSTALLATION OPTIONS

MODELS 950 A ASPECT MODELS CAN BE INSTALLED WITH A SURROUND OR MANTEL

PLEASE DISCUSS THIS WITH YOUR RETAILER

MODELS 1250L 1650L 2000L LANDSCAPE MODELS SHOULD BE INSTALLED AS PER THE INSTALLATION SPECIFICATION SHEET.

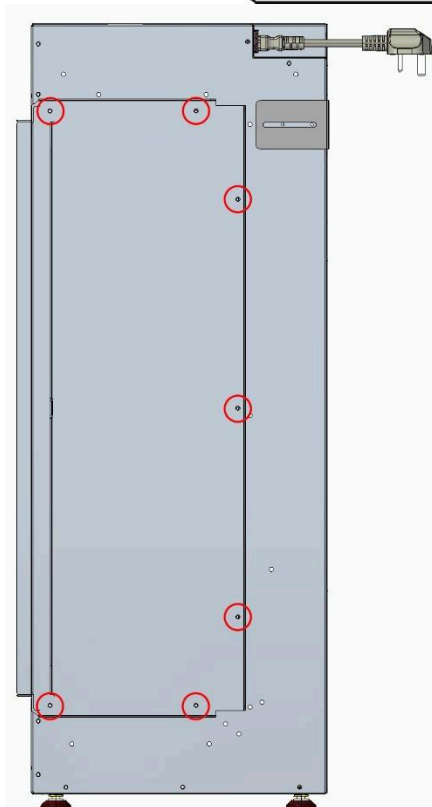
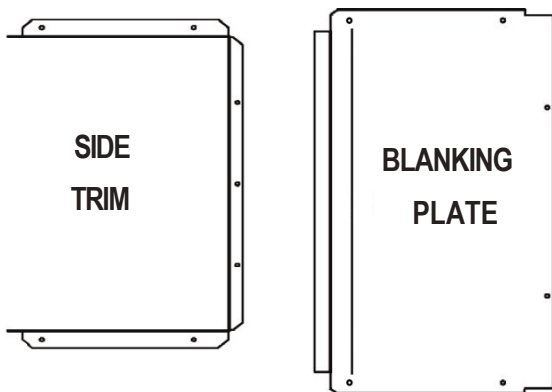
IF YOU ARE IN DOUBT WHICH INSTALLATION OPTION IS RIGHT FOR YOU CONTACT YOUR RETAILER.

HOW TO INSTALL YOUR APPLIANCE
8. CONFIGURING YOUR WINDOW

THE CONFIGURATION OF THE APPLIANCE MUST BE COMPLETED BY A QUALIFIED INSTALLATION TECHNICIAN.

THE APPLIANCE COMES FITTED WITH BOTH A BLANKING PLATE AND A SIDE TRIM.

BY USING A COMBINATION OF THESE PARTS, THE APPLIANCE CAN BE CONFIGURED TO ANY GLASS ARRANGEMENT



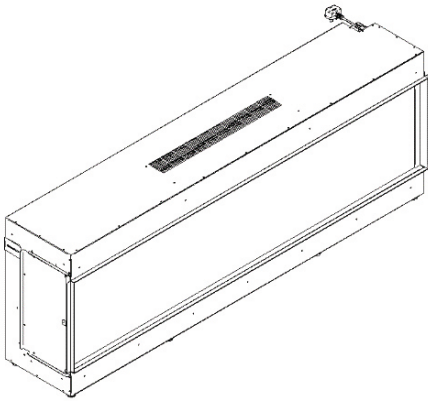
LOCATE THE BLANKING PLATE MOUNTING SCREWS ON EITHER SIDE OF THE APPLIANCE. AS SHOW ON THE IMAGE BELOW.

- REMOVE THE 7 SCREWS USING THE CORRECT SCREWDRIVER.
- RETAIN THE SCREWS FOR RE-ASSEMBLY.
- IF YOU ARE BUILDING THE APPLIANCE AS A BAY WINDOW. REMOVE BOTH THE BLANKING PLATE AND THE SIDE TRIM. REPLACE JUST THE BLANKING PLATE USING THE ORIGINAL SCREWS INTO THE ORIGINAL MOUNTING HOLES. X6
- IF THE APPLIANCE IS BEING CONFIGURED AS A LEFT HAND, RIGHT HAND OR FRONT GLASS ONLY. REMOVE THE SIDE TRIM FROM THE BLANKING PLATE AND REPLACE THE SCREWS LEAVING THE BLANKING PLATE ON THE CHOSEN SIDE.

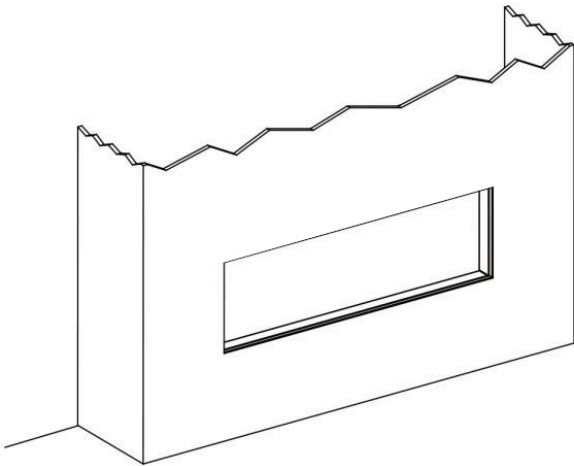
CONVERSION OPTIONS AS FOLLOWS:

- **OPTION 1 - GF VERSION:** HEATER UNIT WITH 2 BLANKING PLATES
- **OPTION 2 - GF2L VERSION:** HEATER UNIT WITH 1 BLANKING PLATE AND 1 SIDE TRIM
- **OPTION 3 - GF2R VERSION:** HEATER UNIT WITH 1 BLANKING PLATE AND 1 SIDE TRIM
- **OPTION 4 - GF3 VERSION:** HEATER UNIT WITH 2 SIDE TRIMS

**OPTION 1 - GF VERSION
(BLANKING PLATES ONLY)**

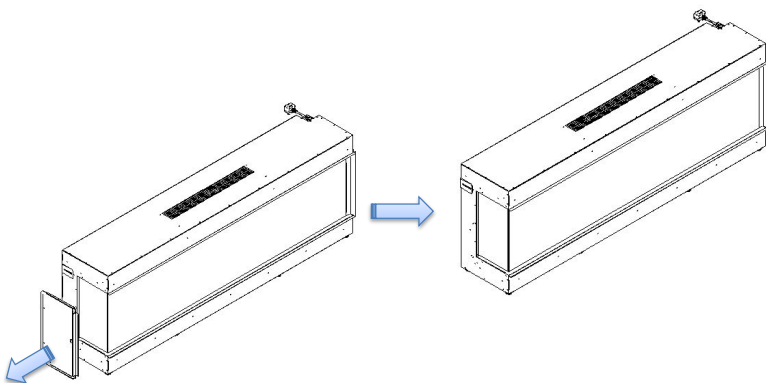


**OPTION 1 -GF AFTER INSTALLATION
(REFERENCE ONLY)**

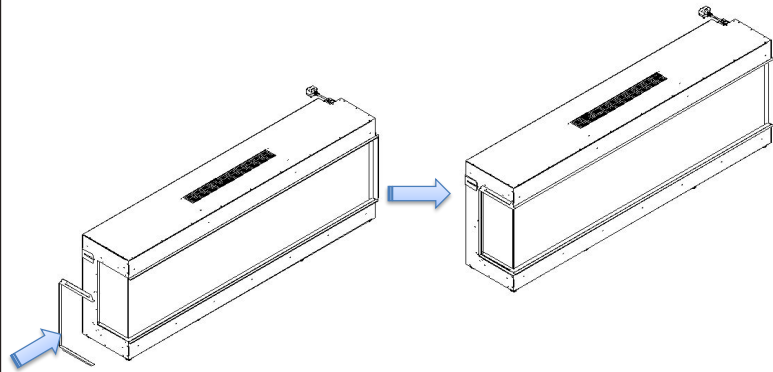


**CONVERSION OPTION 2 & 3 - GF2L & GF2R
(1 BLANKING PLATE & 1 SIDE TRIM)**

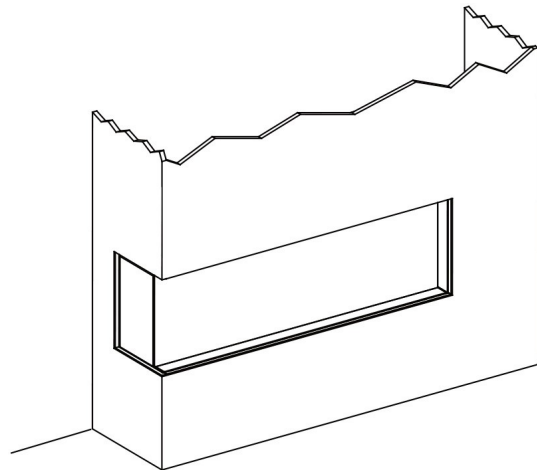
STEP 1



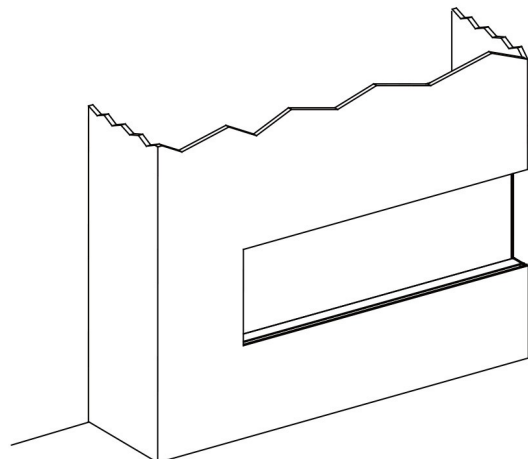
STEP 2



**OPTION 2 - GF2L AFTER INSTALLATION
(REFERENCE ONLY)**

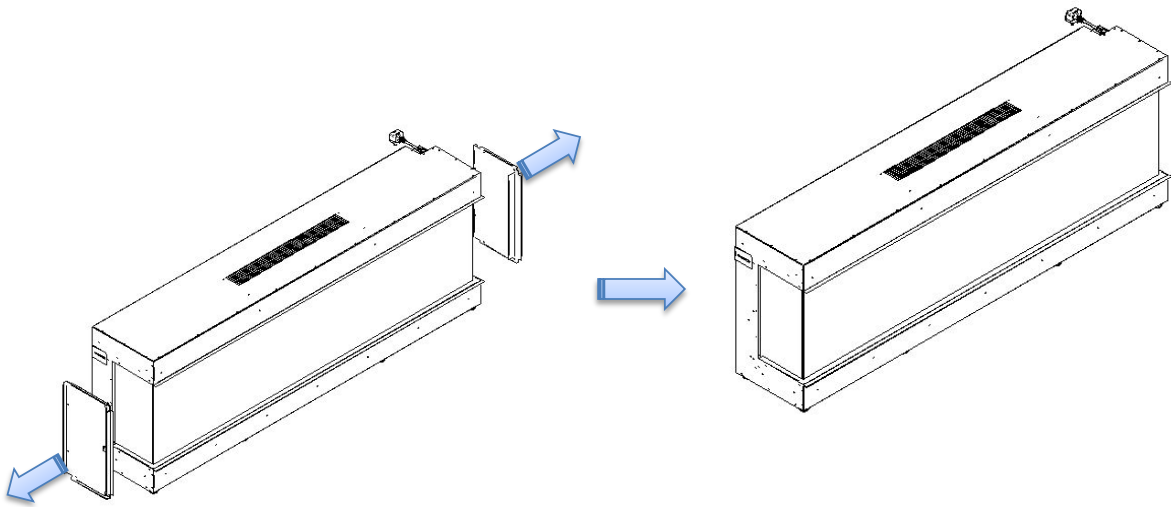


**OPTION 3 - GF2R AFTER INSTALLATION
(REFERENCE ONLY)**

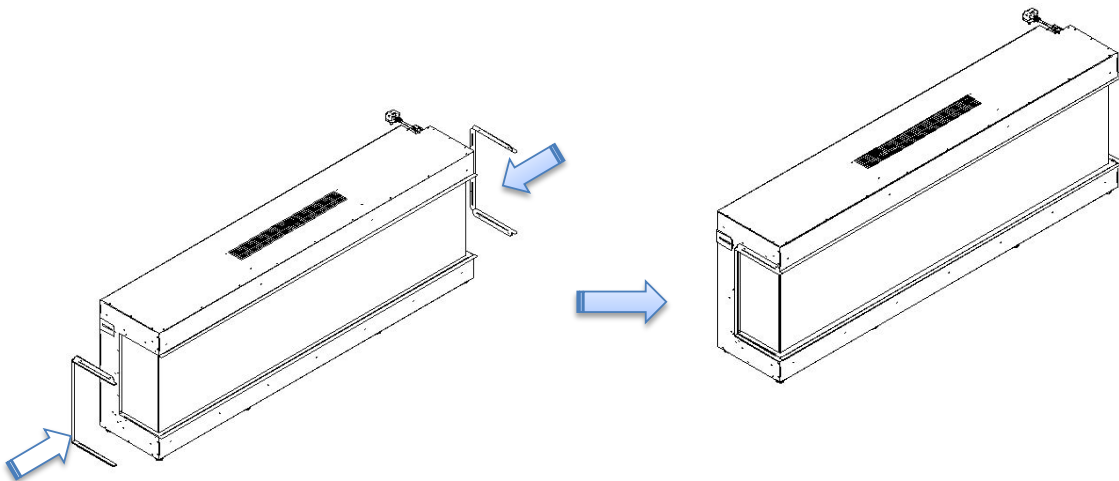


CONVERSION OPTION 4 - GF3 (SIDE TRIMS ONLY)

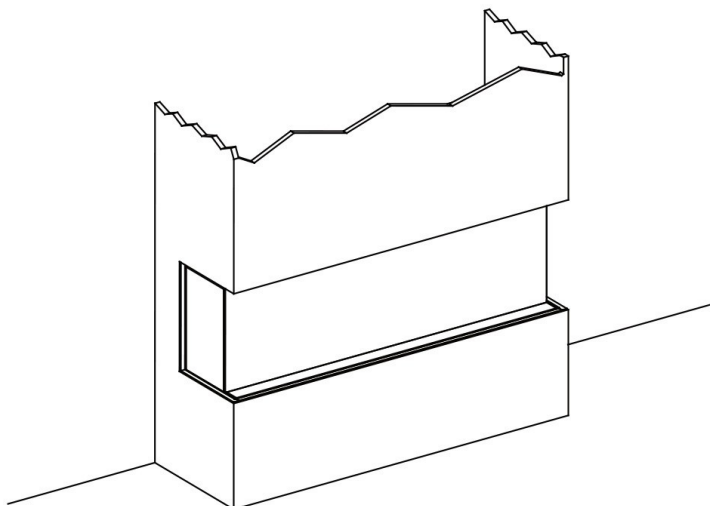
STEP 1



STEP 2



OPTION 4 - GF3 AFTER INSTALLATION (REFERENCE ONLY)



HOW TO INSTALL YOUR APPLIANCE

9. INSTALLATION

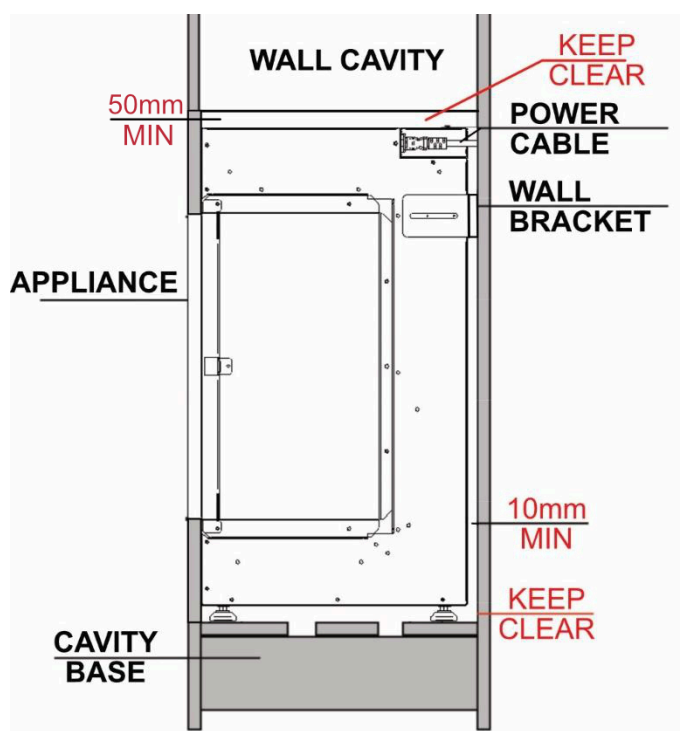
POSITIONING YOUR APPLIANCE

- YOUR NEW APPLIANCE MAY BE INSTALLED VIRTUALLY ANYWHERE IN YOUR HOME. HOWEVER, WHEN CHOOSING A LOCATION ENSURE THAT THE GENERAL INSTRUCTIONS ARE FOLLOWED.
 - THE POSITIONING OF THE APPLIANCE SHOULD IDEALLY BE FITTED INTO/ ONTO A FLAT WALL OF BLOCK/BRICK CONSTRUCTION OR AN INTERNAL WOODEN FRAME PLASTER BOARD WALL. NO FIXINGS ARE PROVIDED WITH YOUR APPLIANCE. PLEASE SEEK ADVICE FROM YOUR RETAILER REGARDING FIXING METHODS, BASED ON YOUR CHOSEN INSTALLATION POSITION AND YOUR WALL MATERIAL.
 - ALWAYS ENSURE THE APPLIANCE IS ADEQUATELY SUPPORTED AND SITS ON A FIRM STRUCTURE WHEN MOUNTING ABOVE FLOOR LEVEL.
 - IF THE POWER CORD IS DAMAGED, IT MUST BE REPAIRED BY THE MANUFACTURER, ITS AUTHORIZED SERVICE CENTRE OR PROFESSIONAL PERSON.
 - ENSURE THAT CURTAINS AND FURNITURE ARE NOT POSITIONED CLOSE TO THE CHOSEN POSITION, AS THIS WOULD CREATE A POTENTIAL FIRE HAZARD OR BLOCK THE HEATER OUTLET DUCTS. FOR BEST RESULTS, INSTALL OUT OF DIRECT SUNLIGHT.
- THE APPLIANCE SHOULD IDEALLY BE LOCATED CLOSE TO A SUITABLE MAINS SOCKET TO ENABLE CONNECTION. THE ELECTRICAL SOCKET MUST BE EASILY ACCESSIBLE TO ALLOW DISCONNECTION WHEN THE APPLIANCE IS FITTED.
 - WARNING! IF THE ELECTRICAL SOCKET IS NOT ACCESSIBLE ONCE THE APPLIANCE HAS BEEN INSTALLED THEN A QUALIFIED ELECTRICIAN WILL NEED TO INSTALL AN ISOLATION SWITCH.
 - WARNING! KEEP ANY FURNISHINGS OR COMBUSTIBLE MATERIALS AT LEAST 1m FROM THE FRONT OF THE ELECTRIC FIREPLACE.

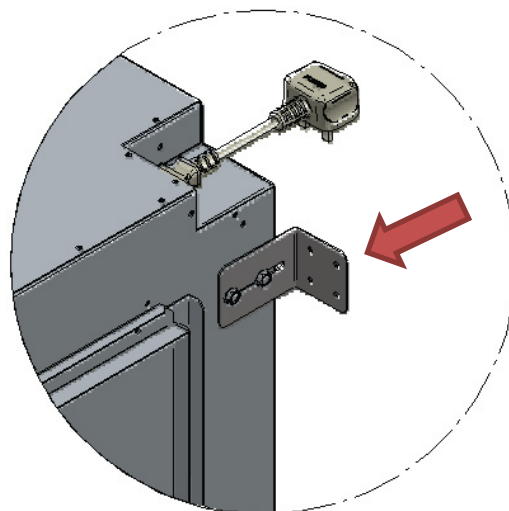
HOW TO INSTALL YOUR APPLIANCE
9. INSTALLATION

POSITIONING YOUR APPLIANCE

- DO NOT INSULATE OR PACK YOUR APPLIANCE INTO ITS LOCATION. FOR THE HEATER AND FLAME AFFECT TO FUNCTION IT REQUIRES CIRCULATION OF AIR
- THE APPLIANCE SHOULD BE LOCATED ON A FLAT FLOOR OR SURFACE.
- IF INSTALLED INSIDE A WALL CAVITY ENSURE THE BASE CONSTRUCTED FOR THE APPLIANCE IS LEVEL AND CLEAR OF OBJECTS TO ALLOW AIR FLOW
- IN ALL INSTALLATION SCENARIOS ENSURE THE WALL MOUNTING BRACKETS ARE USED TO SECURE THE APPLIANCE
- FOR VENTILATION AND NORMAL FUNCTION OF THE APPLIANCE ENSURE A 10mm MINIMUM GAP EXISTS BETWEEN THE BACK OF THE APPLIANCE AND THE WALL THE APPLIANCE IS FIXED TO.



- REMOVE THE WALL BRACKET SCREWS AND ROTATE THE BRACKET AND ROTATE AS SHOWN IN THE IMAGE BELOW
- REATTACH THE BRACKETS AS SHOWN SO THEY ARE FLAT AGAINST THE FIXING WALL AND ALIGN WITH THE MOUNT HOLES ON YOUR APPLIANCE. RETURN THE BRACKET SCREWS LOOSELY



- NOTE: NO FIXTURES ARE SUPPLIED TO SECURE THE APPLIANCE TO THE CHOSEN WALL. ENSURE AN APPROPRIATE FIXING METHOD IS USED DEPENDING ON THE CONSTRUCTION MATERIAL OF THE WALL.
- WHEN INSTALLING INTO A WALL CAVITY SPACE, A STUD WORK ENCLOSURE SHOULD BE BUILT TO HOUSE THE APPLIANCE. SEE FRAME OUT BUILD SHEET OR CONTACT THE RETAILER FOR FURTHER INFORMATION.
- FINISH THE ENCLOSURE IN THE CHOSEN MATERIAL ENSURING PANELS ARE PUSHED UP-TO THE EDGE FRAME LEAVING THE EDGE RETURNS VISIBLE.
- ENSURE THAT CURTAINS, FURNISHINGS AND COMBUSTIBLE MATERIALS ARE NOT POSITIONED CLOSER THAN 1 METRE TO THE HEATER AS THIS COULD CREATE A POTENTIAL FIRE HAZARD.
- IF YOUR APPLIANCE IS NOT LEVEL WHEN INSTALLED THE GLASS CORNER FIT WILL BE MISALIGNED.

10. SETTING THE FUEL BED

- INCLUSIONS:
 CERAMIC LOG SETS
 VERMICULITE
 AMBER CRYSTALS
 BLACK CRYSTALS
 COALS CHIP
- CAUTION LOG SETS ARE DELICATE. TAKE CARE WHEN HANDLING.
- STEP 1: SPREAD AMBER CRYSTALS ON FUEL BED
- STEP 2: SPREAD VERMICULITE EVENLY ACROSS THE FUEL BED SURFACE.
- STEP 3
 POSITION CERAMIC LOG AS PER THE DIAGRAM AS SHOWN BELOW. RANDOMLY STACK AND OVERLAY LOGS AGAINST EACH OTHER.
- STEP 4
 DISTRIBUTE THE BLACK CRYSTALS EVENLY ACROSS THE FUEL BED.
- STEP 5
 DISTRIBUTE THE COALS CHIPS EVENLY ACROSS THE FUEL BED.

LOG SET OPTIONS

- OPTION 1: WOOD LOG SET (WLS)
- OPTION 2: RASIN LOG SET (RLS)

OPTION 1: WLS - 1650L LOG ARRANGEMENTS



OPTION 2: RLS - 1650L LOG ARRANGEMENTS



HOW TO INSTALL YOUR APPLIANCE

11. ELECTRICAL CONNECTION

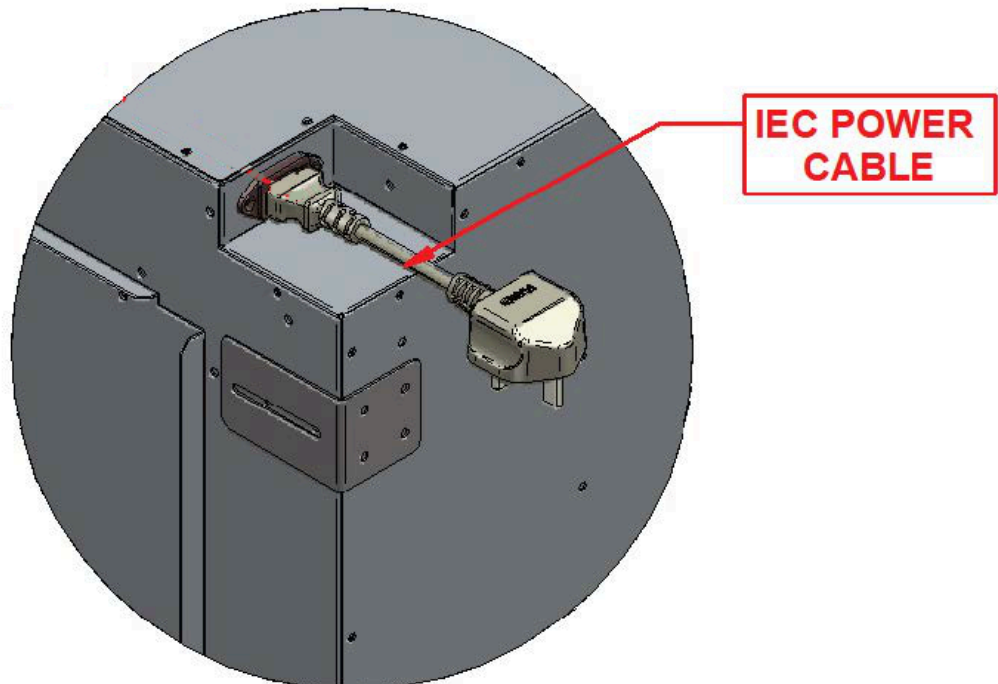
WARNING

ENSURE THE APPLIANCE IS FULLY ASSEMBLED AND THE FRONT GLASS WITH TRIM IS BACK IN THE APPLIANCE BEFORE THE APPLIANCE IS CONNECTED TO MAINS POWER

CONNECTING TO MAINS SUPPLY

- CHECK WHETHER THE MAINS SUPPLY CAN ACCOMMODATE THE ADDITIONAL LOAD OF 1000 OR 2000 WATT

- CONNECT THE POWER CABLE TO AN EARTHED SOCKET
- ONLY USE THE POWER CABLE PROVIDED WITH YOUR APPLIANCE AS IT WILL BE CORRECT FOR YOUR REGION



SERVICING INSTRUCTIONS

12. GENERAL INFORMATION

THIS APPLIANCE MUST ONLY BE SERVICED BY A SUITABLY QUALIFIED PERSON.

BEFORE UNDERTAKING ANY WORK ON THE APPLIANCE: SWITCH OFF THE APPLIANCE FROM THE ISOLATION SWITCH.

WAIT FOR AT LEAST 10 MINUTES UNTIL THE APPLIANCE HAS COOLED DOWN.

REMOTE HANDSET BATTERY REPLACEMENT THE REMOTE-CONTROL HANDSET, USES 2 X AAA BATTERIES FOR POWER OPERATION, THESE WILL NEED REPLACING OVER A PERIOD OF TIME.

FOR REPLACEMENT:

- OPEN THE BATTERY COMPARTMENT COVER ON THE REAR OF THE HANDSET.
- REMOVE THE OLD BATTERIES AND REPLACE OBSERVING THE CORRECT POLARITY (+ & -) AS MARKED UPON THE BATTERIES AND
- HANDSET REMOTE CONTROL. REPLACE THE HANDSET COVER.

MAINTENANCE OF MOTORS

THE MOTORS USED ON THE FAN AND FLAME EFFECT ARE PRE-LUBRICATED FOR EXTENDED BEARING LIFE AND REQUIRE NO FURTHER LUBRICATION. HOWEVER, PERIODIC CLEANING/ VACUUM OF THE FAN/HEATER UNIT IS RECOMMENDED.

RESETTING THE THERMAL CUT OUT SWITCH

THE APPLIANCE IS FITTED WITH AN ELECTRONIC SAFETY CONTROL (E.S.). THIS IS A SAFETY DEVICE WHICH SWITCHES OFF THE HEAT ONLY IF, THE APPLIANCE OVERHEATS FOR ANY REASON
E.G. WHEN COVERED.

IF THE HEATER STOPS OPERATING WHILST THE FLAME EFFECT CONTINUES NORMALLY, THIS INDICATES THAT THE E.S. CONTROL IS IN OPERATION.

THE E.S. CONTROL CAN ONLY BE RE-SET AFTER THE APPLIANCE HAS COOLED DOWN.

TO RE-SET THE E.S.:

- SWITCH OFF THE APPLIANCE (ISOLATION SWITCH) AND LEAVE FOR UP TO 2 HOURS.
- REMOVE ANY OBSTRUCTION TO THE FAN HEATER OUTLET OR OTHER INTERNAL PARTS.
- SWITCH ON APPLIANCE AND THE E.S. CONTROL WILL RE-SET.
- ENSURE THAT THE APPLIANCE IS FUNCTIONING CORRECTLY. IF THE E.S. CONTROL OPERATES AGAIN, THE APPLIANCE SHOULD BE CHECKED BY A COMPETENT ELECTRICIAN.

IF THE POWER SUPPLY IS INTERRUPTED (POWER FAILURE) OR THE APPLIANCE IS TURNED OFF AT THE ISOLATION SWITCH WHILST THE HEATER IS ON, IT WILL BE NECESSARY TO DISCONNECT THE APPLIANCE FROM THE MAINS SUPPLY AND LEAVE FOR 5 MINUTES IN ORDER TO DISCHARGE THE ELECTRONICS BEFORE ATTEMPTING TO TURN THE APPLIANCE ON.

SERVICING INSTRUCTIONS 13. FAULT FINDING

OPERATE APPLIANCE BEFORE COMMISSIONING

1. CLICK ON THE REMOTE HANDSET POWER BUTTON. IF THE APPLIANCE DOES NOT FUNCTION, THEN, FOLLOW POINTS 1, 2, 3, 4 AND 5 RESPECTIVELY.
2. CHECK THE POWER CONNECTION AT THE ISOLATION SWITCH IS IN THE ON POSITION.
3. CHECK THE ISOLATION SWITCH ON THE APPLIANCE (SEE STICKER ON THE APPLIANCE). THE SWITCH MUST BE SET TO THE "I" POSITION
4. CHECK THE BATTERIES IN YOUR HANDSET. CHECK IF THE BATTERIES ARE IN THE CORRECT POSITION AND REFIT IF NECESSARY.
5. IF AFTER CHECKING 1, 2, 3 & 4 NOTHING STILL HAS HAPPENED, THEN DISCONNECT THE POWER FROM THE MAINS (UNPLUG FROM SOCKET), AND WAIT FOR 60 SECONDS, THEN PLUG IT BACK IN AND REPEAT STEPS 1 TO 4. IF YOU DO NOT HAVE ACCESS TO THE MAINS SWITCH, BECAUSE IT IS BUILT-IN, THEN SWITCH OFF THE UNIT FROM ISOLATION SWITCH.

FAULT: THE HEATING DOES NOT TURN-ON WHEN YOU SELECT HEATING MODE BUT THE FLAME EFFECT IS RUNNING.

A) CHECK THE BATTERIES IN YOUR HAND SET. THE RED LED MUST BE SHOWING BRIGHTLY.

B) TRY SELECTING HEATING MODE AGAIN, BUT CLOSER TO THE APPLIANCE.

C). TURN OFF APPLIANCE, THEN TURN IT ON AGAIN. WAIT FOR 10 SECONDS, THEN SELECT HEATING MODE AGAIN.

SERVICING INSTRUCTIONS

14. SERVICING REQUIREMENTS

TO SERVICE THE APPLIANCE PLEASE FOLLOW THE STEPS AS DETAILED:

1. TURN ON THE FLAME EFFECT.
BUTTON (B)
B3. IF APPLIANCE DOES NOT WORK, THEN FOLLOW THE FAULT FINDING GUIDE.
2. CYCLE ALL BUTTONS
B2 FLAME BRIGHTNESS
B3 COLOUR OF FLAME
B4 BRIGHTNESS OF TOP LIGHT
B5 COLOUR OF TOP LIGHTING
B6 BRIGHTNESS OF FUEL BED
B7 FUEL BED COLOUR
B8 SOUND SETTINGS
B9 SPEED OF FLAME
3. IF STEPS 2 ARE OK, THEN USE YOUR HANDSET TO IF IT WORKS THEN OPERATE HEAT SETTINGS
B10 AT VARIOUS LEVELS H1 AND H2
4. TURN OFF THE SWITCH ON THE FIRE. THE ISOLATION SWITCH ON
5. TURN OFF POWER CONNECTION MAINS SWITCH ON THE WALL TO OFF POSITION. IF YOU DO NOT HAVE ACCESS TO THE MAINS ON/OFF SWITCH, BECAUSE IT IS BUILT-IN, THEN DISCONNECT FROM ISOLATION SWITCH.

ONCE THESE STEPS HAVE BEEN FOLLOWED:

6. CHANGE THE BATTERIES IN THE HANDSET.
7. REMOVE THE TRIMS & GENTLY REMOVE THE GLASS FROM THE FIRE, SEE SECTION 6.
8. GENTLY REMOVE THE EFFECTS SCREEN AND OUTER SCREEN FROM THE FIRE. SEE PAGE 28

1. CLEAN THE EFFECTS SCREEN AND OUTER SCREEN WITH SCREEN CLEANER AND CLOTH.
2. CLEAN THE GLASS WITH GLASS CLEANER AND CLOTH.
3. CONNECT / RESTORE MAINS ELECTRICITY AND ON/OFF SWITCH BACK-TO 1 POSITION.
4. RUN THE FIRE WHILE THE SCREEN AND GLASS UNATTACHED FOLLOWING
5. STEPS 1, 2 AND 3, FOR 5 MINUTES.
6. TURN OFF THE FIRE FROM YOUR HANDSET.
7. ATTACH SCREEN AND THEN ATTACH THE GLASS.
8. FIT THE TRIMS.
9. RUN THE FIRE WHILE THE SCREEN AND GLASS IN PLACE

CLEANING

DO NOT USE WATER, DETERGENTS, ABRASIVE CLEANING POWDERS OR POLISH OF ANY KIND ON THE BODY OF THE APPLIANCE. LIGHTLY DUST USING A DRY DUSTER OR A MEDIUM SOFT BRUSH.
TO CLEAN THE GLASS USE GLASS OR WINDOW CLEANER.

SERVICING INSTRUCTIONS
15. REMOVING THE GLASS

WARNING

BEFORE UNDERTAKING ANY WORK ON THE APPLIANCE: SWITCH OFF THE APPLIANCE AND ISOLATE IT FROM THE MAINS BY UNPLUGGING THE UNIT.

REMOVING THE GLASS SHOULD ONLY BE UNDERTAKEN WHEN ABSOLUTELY NECESSARY.

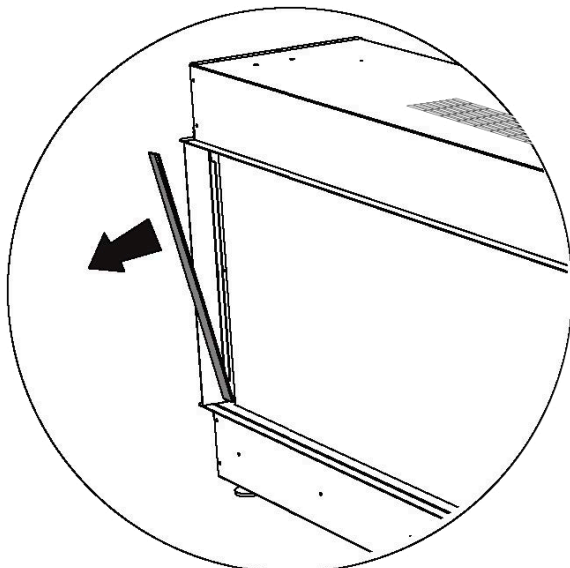
IF REQUIRED PLEASE CONTACT YOUR DEALER FOR FURTHER SUPPORT. CAUTION: BROKEN GLASS CAN CAUSE SERIOUS INJURY. TAKE EXTRA CARE WHEN HANDLING THE APPLIANCE WINDOW

GLASS IS NOT UNDER WARRANTY

DO NOT OPERATE THE APPLIANCE WITHOUT THE GLASS WINDOW INSTALLED

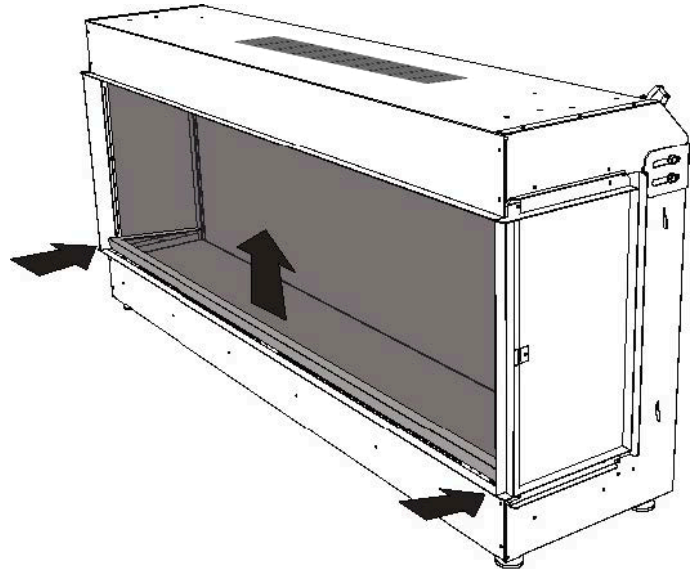
REMOVE THE TRIM BRACKETS

FOR MODELS CONFIGURED WITH ONLY FRONT GLASS OR A SINGLE LEFT/RIGHT BLANKING PLATES, REMOVE THE SIDE VERTICAL TRIM FIRST. SIDE VERTICAL TRIM IS HELD BY A MAGNETIC STRIP.

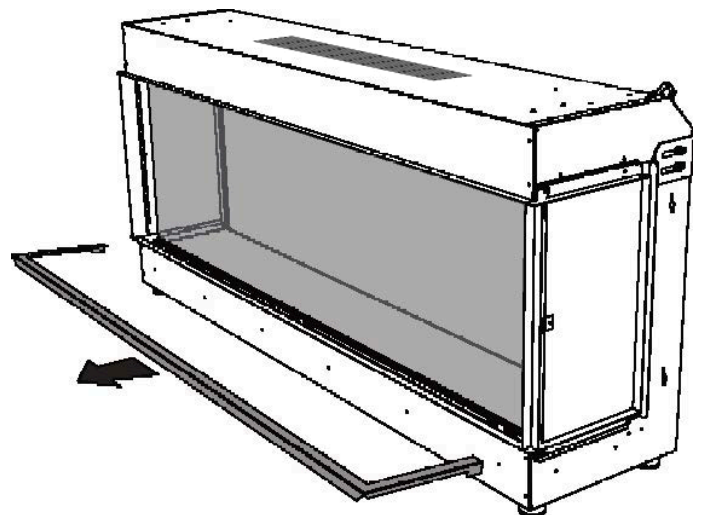


REMOVING THE TRIM BRACKETS

REMOVING THE FRONT TRIM USING A MAGNET, CAREFULLY LIFT THE FRONT TRIM IN THE CORNERS



CAREFULLY REMOVE THE FRONT TRIM LIFTING UP AND OUT AWAY FROM THE APPLIANCE TAKING CARE TO NOT TWIST THE TRIM THE TRIM MUST BE REMOVED EVENLY OR IT WILL LOCK UP ON THE GLASS EDGE

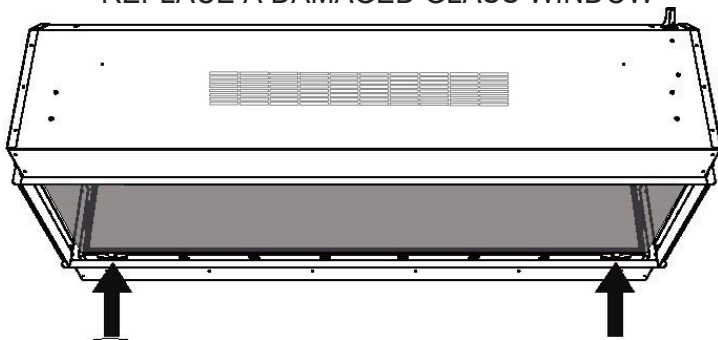


SERVICING INSTRUCTIONS
15. REMOVING THE GLASS

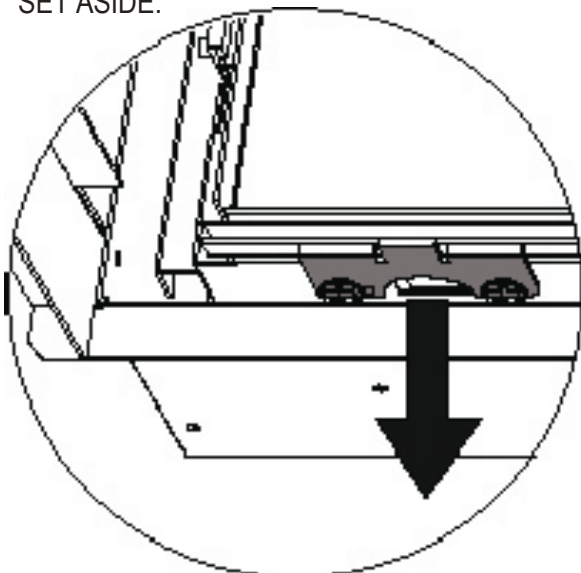
RELEASING THE GLASS

WARNING: ALTHOUGH THE GLASS PANEL HAS BEEN TREATED WITH SAFETY EDGES PLEASE TAKE CARE WHEN HANDLING THE GLASS. AVOID CONTACT WITH CORNERS AND IF NECESSARY WEAR PROTECTIVE GLOVES. TWO PEOPLE MAY BE REQUIRED TO REMOVE THE GLASS.

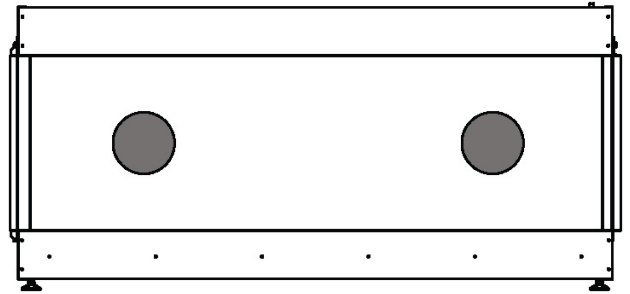
- THE GLASS IS HELD IN POSITION BY CLAMPS. THE FRONT GLASS HAS 2 CLAMPS. WIDER MODELS HAVE 3
- THE SIDE GLASS DOES NOT NEED TO BE REMOVED AT ANY TIME UNLESS TO REPLACE A DAMAGED GLASS WINDOW



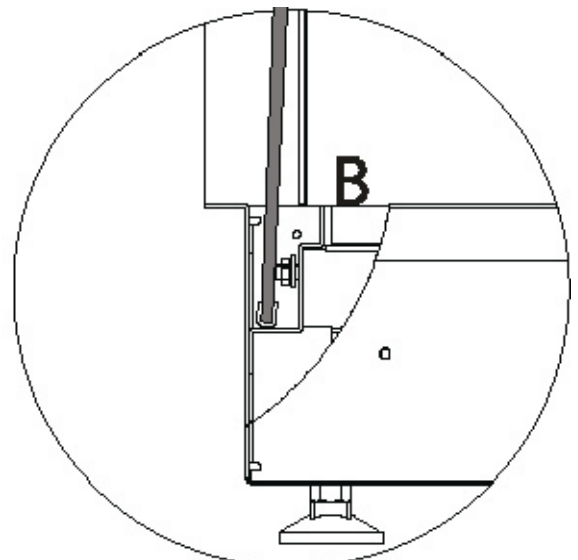
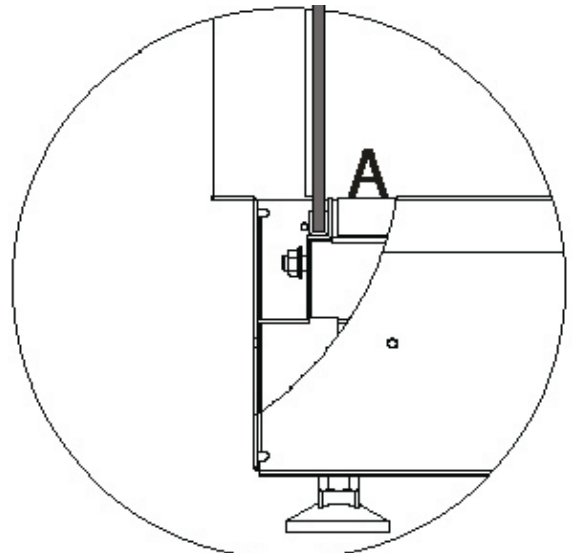
- BEGIN BY LOOSENING THE NUTS THAT HOLD THE CLAMPS. DO NOT REMOVE THE NUTS FROM THEIR THREADS.
- ONCE THE CLAMPS ARE FREE FROM TENSION WITH THE GLASS, LIFT THE CLAMPS AWAY FROM THE APPLIANCE AND SET ASIDE.



REMOVING THE GLASS
 USING TWO GLASS LIFTING SUCTION PADS
 GRIP THE FRONT GLASS IN THESE LOCATIONS



TAKING GREAT CARE, TAKE THE WEIGHT OF THE GLASS AND ALLOW THE GLASS TO SLIP OFF ITS SEAT AS SHOWN IN IMAGE A, AND LOWER INTO THE CHANNEL IN FRONT OF THE CLAMP THREADS, POSITION B. NOW LEAN THE GLASS TOP EDGE OUT OF THE APPLIANCE.



CAUTION TV OR ANY OBJECT ABOVE ELECTRIC FIRE

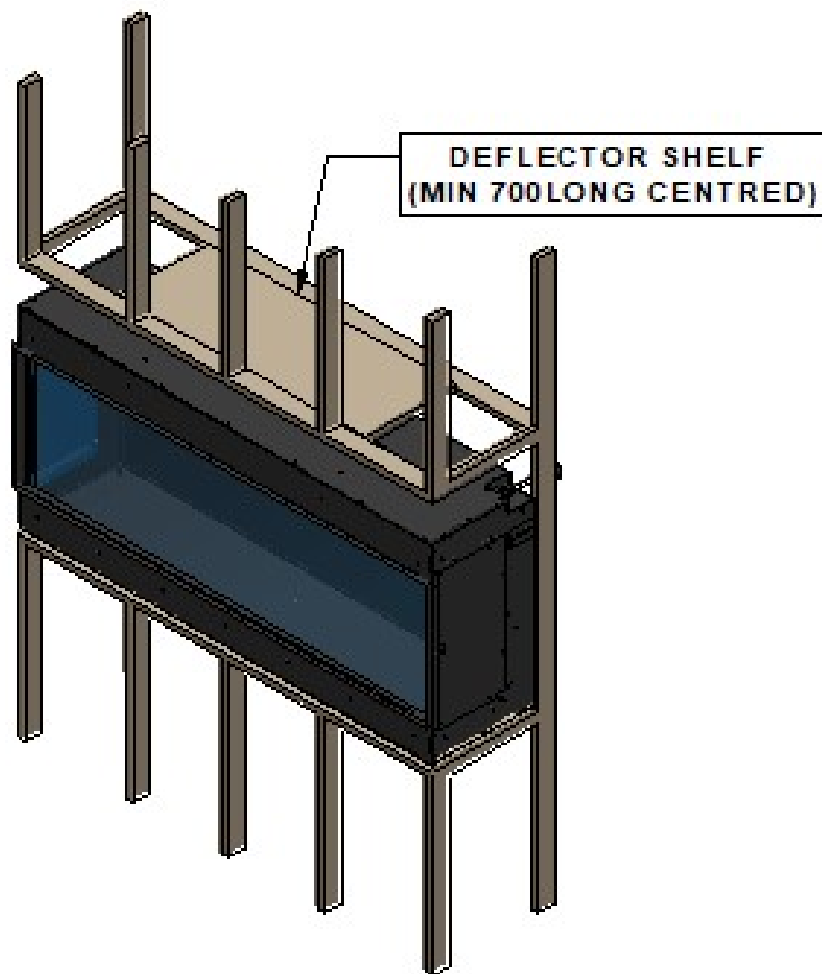
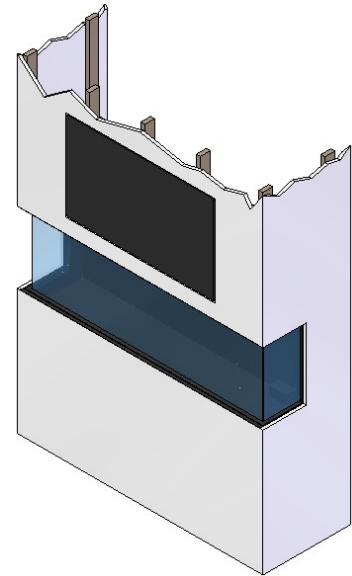
TELEVISION INSTALLATION MANDATORY REQUIREMENTS

When fitting a television or hanging any object above the fireplace the following installation must be adhered to.

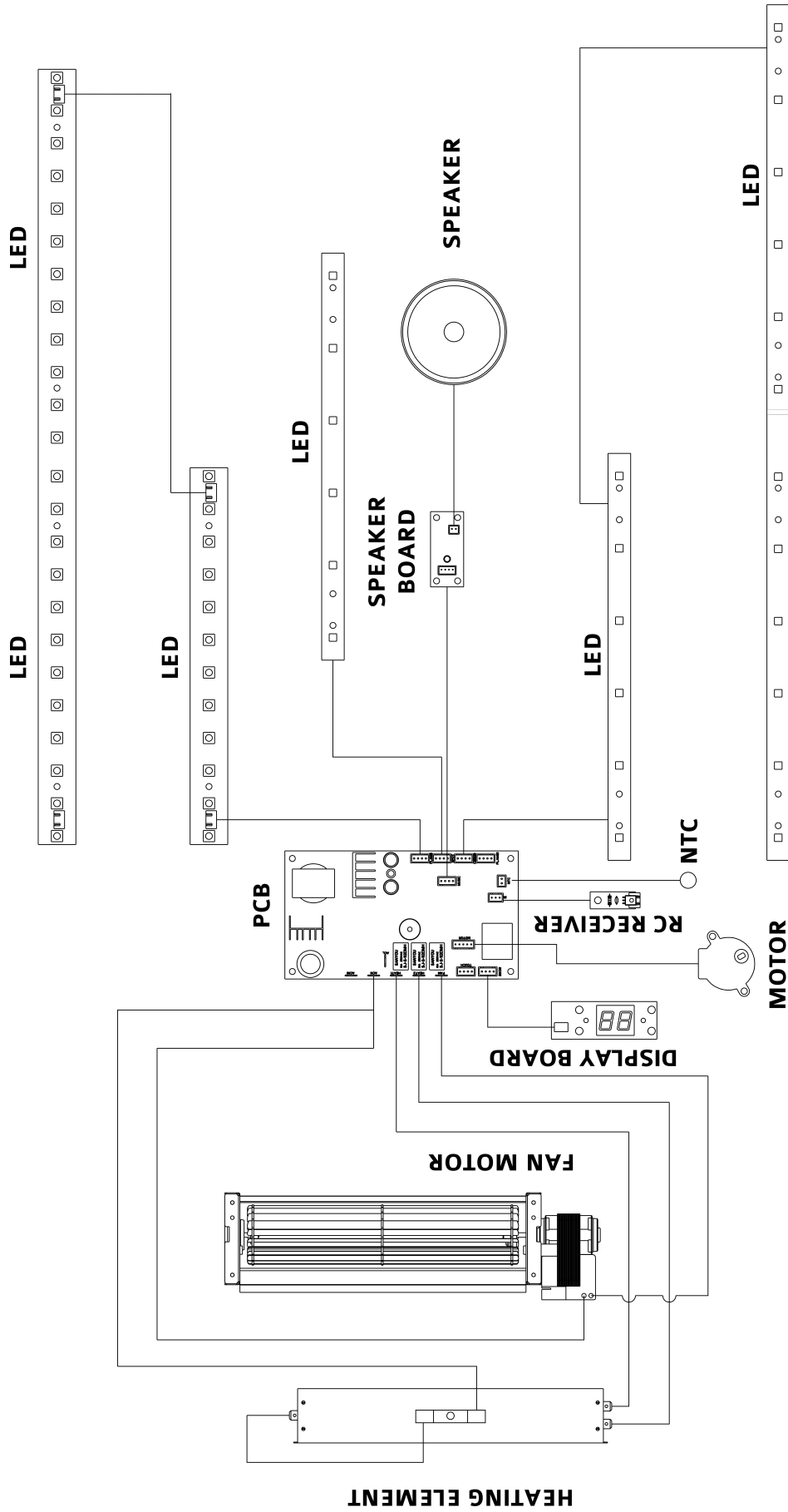
Debris and dust will fall into the fan slots above the appliance causing damage unless protected. It is a requirement to set a shelf as shown below.

- Shelf to be made during framing

CAUTION: Appliance warranty will be void if the shelf or deflector plate is not installed.

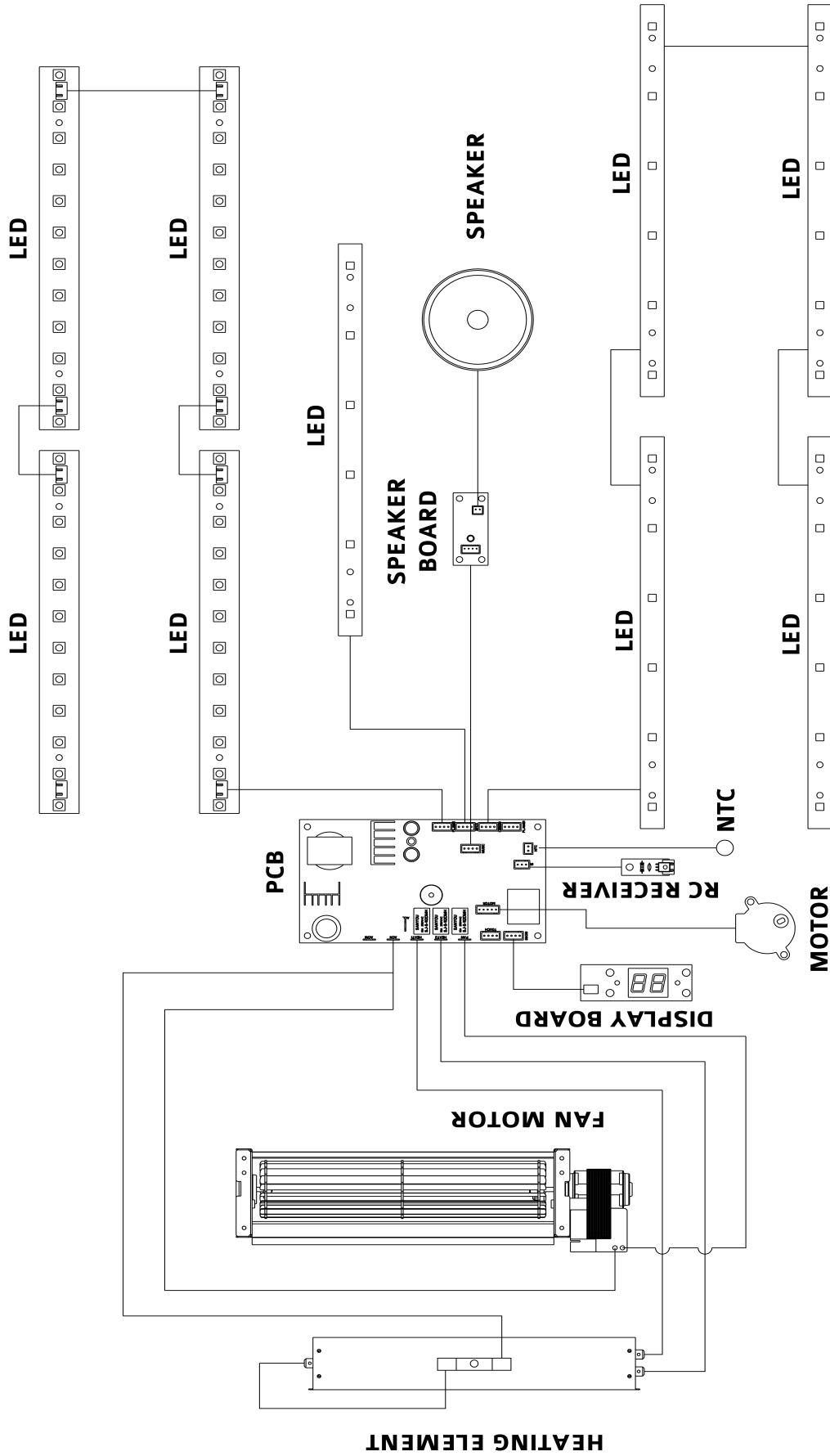


REFERENCE INFORMATION
16. WIRING DIAGRAM



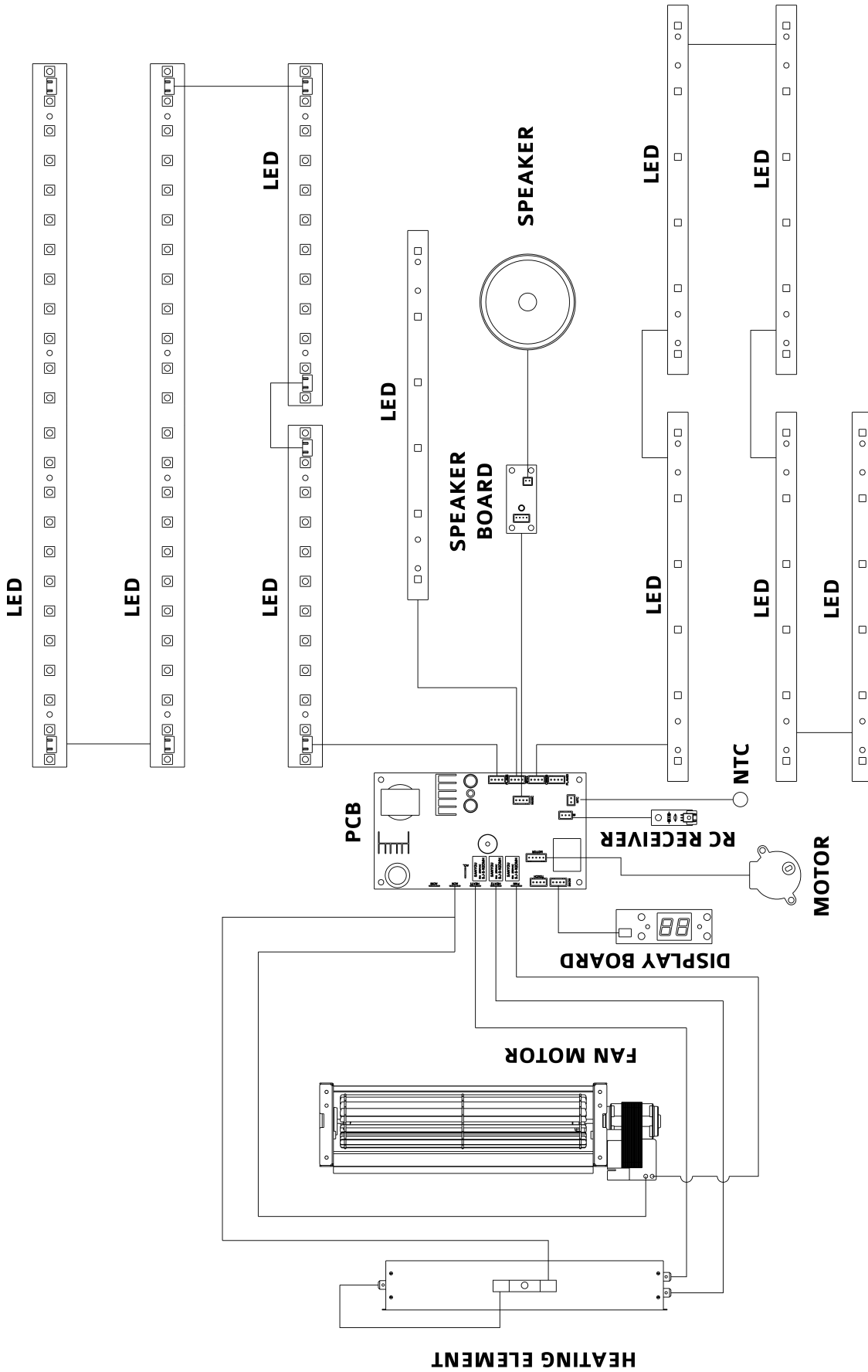
ilekto 950 A

REFERENCE INFORMATION
16. WIRING DIAGRAM



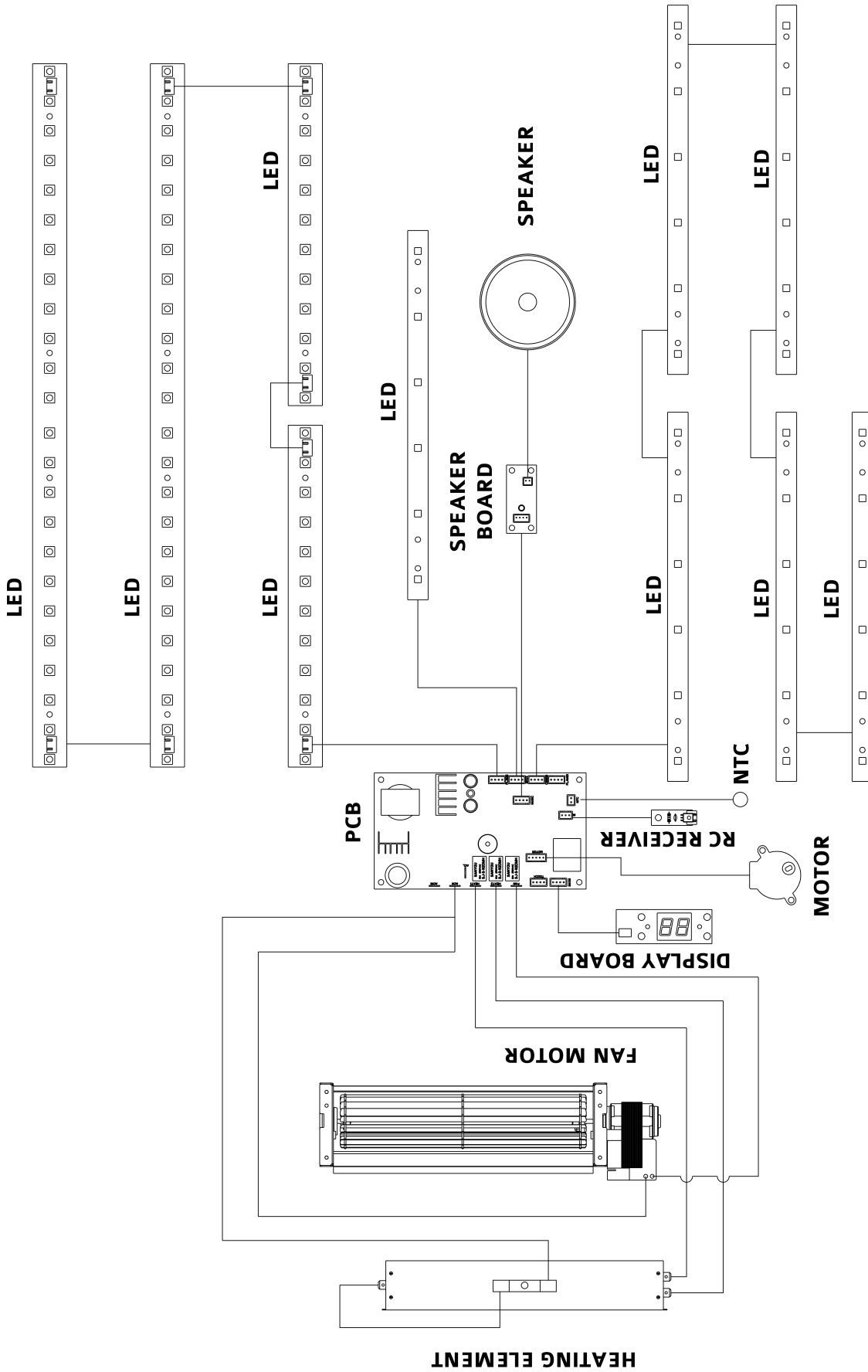
ilektró 1250L

REFERENCE INFORMATION
16. WIRING DIAGRAM



ilektra 1650L

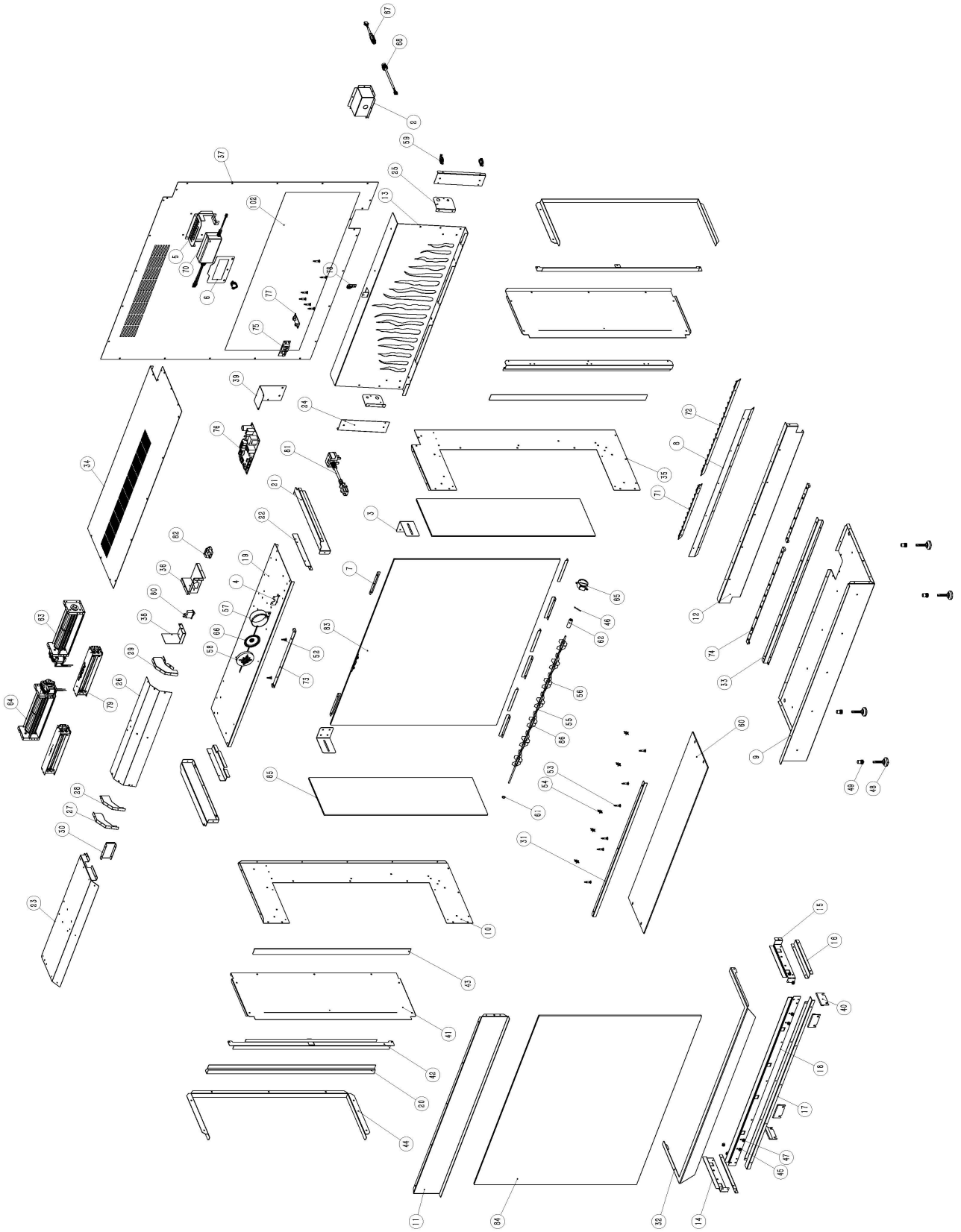
REFERENCE INFORMATION
16. WIRING DIAGRAM



ilektro 2000L

950A EXPLODED DIAGRAM

REFERENCE INFORMATION 17. EXPLODED DIAGRAM



MODEL: 950A

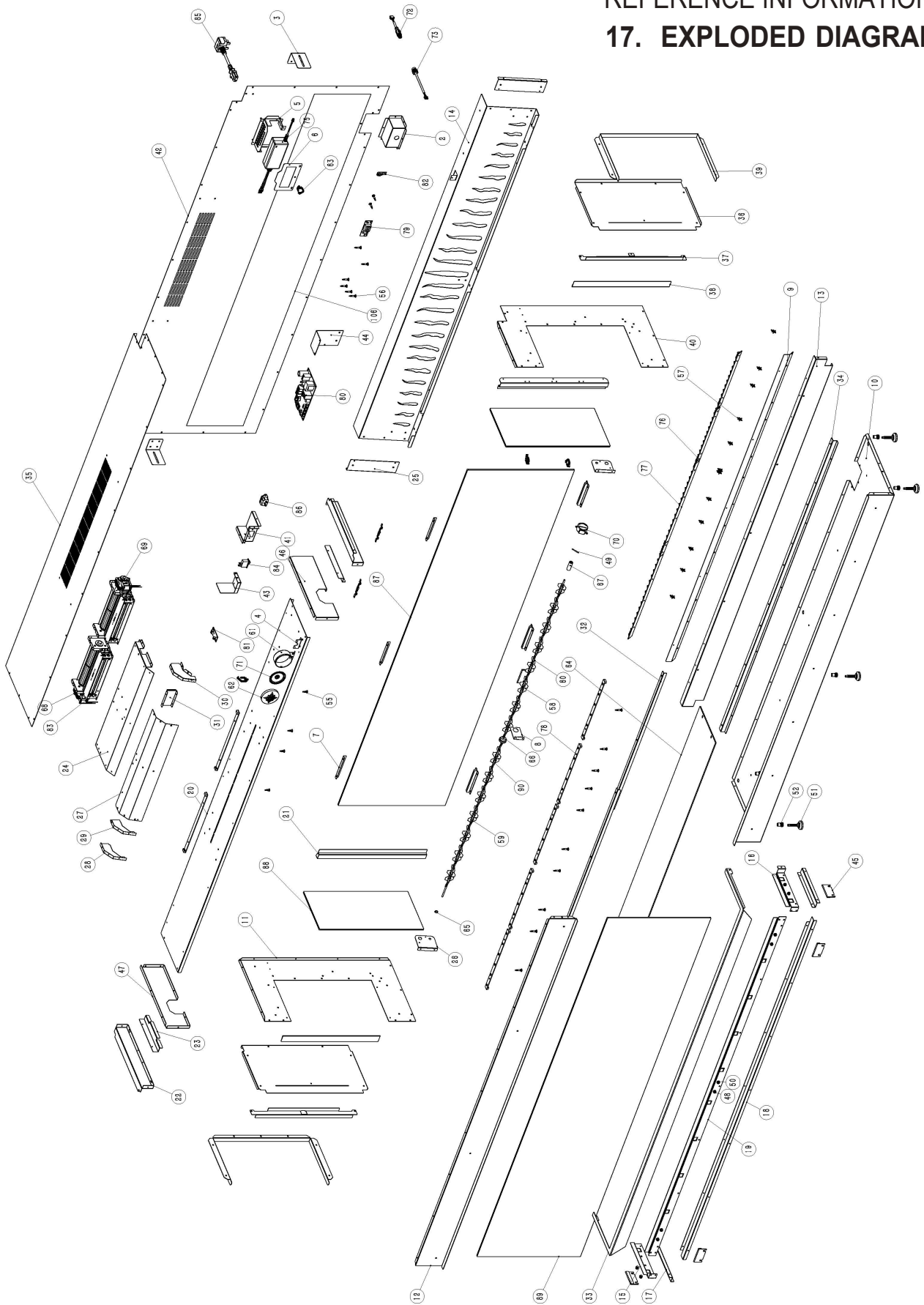
NO.	Part Number	Description	QTY	NO.	Part Number	Description	QTY
1	010413710095	Wooden pallet	1	53	300000020400-R00	Flat bottom isolation column	14
2	100002857000	Backlight fixing panel	1	54	300000035000	Twin nose isolation column	5
3	100401960300	Movement fixing pane	2	55	300400330698	Fiberglass tube	1
4	100421840100-R00	Trumpet bracket	1	56	300400663026	Reflectors	1
5	100421930100-R01	Adaptor fixed box	1	57	300401060100-R00	Loudspeaker box	1
6	100421940100-R01	Adaptor cover board	1	58	300401070100-R00	Loudspeaker cover	1
7	100422290100	Glass pressing plate	8	59	300401170100-R00	Power harness holder (with lock)	3
8	100422530095	Flame light bracket	1	60	300401370600	Fuel bed	1
9	100422800095	Baseplate	1	61	340000010500-R00	φ5 Protective ring	1
10	100422810095	Left side plate	1	62	340400020200	Rubber pipe	1
11	100422820095	Head board	1	63	430000180125	Tubular fan	1
12	100422830095	Flame plate support plate	1	64	430000180126	Tubular fan	1
13	100422840096	Flame board	1	65	430000210200	Stepping motor	1
14	100422852125	Side glass left lower baffle plate	1	66	440000420200	Trumpet	1
15	100422852126	Side glass right lower baffle plate	1	67	440000500101-R00	Male wire harness	1
16	100422853125	Side glass fixing plate	2	68	440000500200	Female wire harness	1
17	100422855095	Front glass fixing plate	1	69	440000588125	Wireless remote control	1
18	100422856095	Front glass bottom board	1	70	440200070302	5A Adaptor	1
19	100422860095	Upper fixing panel	1	71	440402810100	3 color flame LED	1
20	100422870095	Side glass barrier strip	2	72	440402810300	3 color flame LED	1
21	100422880125	Upper bracket	2	73	440402820000	10 color RGB LED	2
22	100422890125	Side plate upper board	2	74	440402820200	10 color RGB LED	1
23	100422900125	Fan fixing board	1	75	440402830001	Display board	1
24	100422910125	The flame board bracket	2	76	440402830125	Main control board	1
25	100422920125	Stepping motor bracket	2	77	440402830236	Trumpet driving board	1
26	100422930125	Air flue upper board	1	78	440402860000	Receiver	1
27	100422932000	Air flue left board	1	79	450002070100	Heating element	2
28	100422932015	Air duct baffle	1	80	460000010400-R00	Rocker switch	1
29	100422932100	Air flue right board	1	81	470000070300-R00	Power line (British plug)	1
30	100422937100	Air flue middle board	1	82	470400050100-R00	Power cord socket	1
31	100422940095	Behind watch glass barrier strip	1	83	500400014900	The screen glass	1
32	100422950095	deckboard	1	84	500400076300	Surface of the glass	1
33	100422960095	Fuel bed LED bracket	1	85	500400076400	Side of the glass	2
34	100422970095	Top tray	1	86	510400500950	Reflective wheel	1
35	100423020095	Right side plate	1	87	610000130009	Accessories carton	1
36	100423030125	The power supply box	1	88	610000130801	Bottom cover	1
37	100423040095	Rear panel	1	89	610000130802	Top cover	1
38	100423050125	Switch plate	1	90	610400310014	Log sets pack carton	1
39	100423080125	Display board bracket	1	91	620400300010	Lower left foam	1
40	100423090125	Outer glass pressing plate	4	92	620400300011	Lower right foam	1
41	100423130000	Both sides barrier strip	2	93	620400300012	Middle and lower foam	1
42	100423140000	Decorative panel rear panel	2	94	620400300013	Upper left foam	1
43	100423150000	Both sides decorative plate	2	95	620400300014	Upper right foam	1
44	100423160000	Both sides mounting bar	2	96	620400300015	Upper foam	1
45	180000005005	M5 flange nut	8	97	620400340100	Foam liner	1
46	180000090101-R00	Cotter pin M1.5 X20	1	98	630400100500	Pearl cotton lining board	1
47	180400535100	Round head press riveting studs	8	99	630400100600	Pearl cotton lining board	2
48	180400570100-R00	Adjustable foot	4	100	630400201800	L paper Angle guard	4
49	180400620800-R00	Flat nut(in common use)	4	101	630400201900	L paper Angle guard	4
50	190000050100-R00	Suction cup (single claw)	2	102	640000025004	Black velvet	1
51	190000800000	Wrench that works on both sides	1	103	710400170200	Magnetic pull handle assembly	2
52	300000020000	Flat bottom isolation column	2	104	750000000002	Accessories package	1

MODEL: 1250L

S.NO	PART NUMBER	DESCRIPTION	QTY	S.NO	PART NUMBER	DESCRIPTION	QTY
1	10413710000	Wooden pallet	1	41	1004230080125	Display board bracket	1
2	10413720000	Vertical sides of cartons	2	42	1004230090125	Outer glass pressing plate	4
3	10413720200	Horizontal plate of cartons	1	43	100424531100	Left support plate of top tray	1
4	100002857000	Backlight fixing panel	1	44	100424531200	Right support plate of top tray	1
5	100401960300	Movement fixing panel	2	45	180400572000	Adjusted foot glass	4
6	100421930100-R01	Adaptor fixed box	1	46	180400620800-R00	Flat nut(in common use)	4
7	100421940100-R01	Adaptor cover board	1	47	300000020000	Nylon rivets	2
8	100422290100	Glass pressing plate	8	48	300000020400-R00	Big size rivets	23
9	100422380100	Reflector middle bracket	1	49	300400330125	Fiberglass pipe	1
10	100422530125	Flame light bracket	1	50	300400663001	Reflector	1
11	100422800125	Baseplate	1	51	300400663002	Reflector	1
12	100422810125	Left side plate	1	52	300401170100-R00	Power bundle fixation(with lock)	5
13	100422820125	Head board	1	53	300401370500	Fuel bed board	1
14	100422830125	Flame plate support plate	1	54	340000010500-R00	Protective ring	1
15	100422840125	Flame board	1	55	340000040200-R00	Glance round axle sleeve	1
16	100422850125	Glass bottom board	1	56	340400020100-R00	Rubber pipe	1
17	100422860125	Upper fixing panel	1	57	430000180125	Heating fan	1
18	100422870125	Side glass barrier strip	2	58	430000180126	Heating fan	1
19	100422880125	Upper bracket	2	59	430000210000	Stepping motor	1
20	100422890125	Side plate upper board	2	60	440000500101-R00	Male wire harness	1
21	100422900125	Fan fixing board	1	61	440000500201-R00	Female wire harness	1
22	100422910125	The flame board bracket	2	62	440000588125	Wireless remote control	1
23	100422920125	Stepping motor bracket	2	63	440200070301-R01	Adaptor	1
24	100422930125	Air flue upper board	1	64	440402810000	3 Color flame LED	4
25	100422932000	Air flue left board	1	65	440402820000	10 Color RGB LED	5
26	100422932100	Air flue right board	1	66	440402830001	Display board	1
27	100422937100	Air flue middle board	1	67	440402830125	Main control board	1
28	100422940125	Behind watch glass barrier strip	1	68	440402830236	Trumpet driving board	1
29	100422950125	Deckboard	1	69	440402850000	Trumpet	1
30	100422960125	Fuel bed LED bracket	1	70	440402860000	Receiver	1
31	100422970125	Top tray	1	71	450002070201-R02	Heating element	2
32	100422980125	Both sides barrier strip	2	72	460000010400-R00	Rocker switch	1
33	100422990125	Decorative plate back plate	2	73	470000070300-R00	Power line (British plug)	1
34	100423000125	Both sides decorative plate	2	74	470400050100-R00	Power cord socket	1
35	1004230010125	Both sides mounting bar	2	75	500400014800	The screen glass	1
36	1004230020125	Right side plate	1	76	500400076100	Side of the glass	2
37	1004230030125	The power supply box	1	77	500400076200	Surface of the glass	1
38	1004230040125	Rear panel	1	78	51400520000	Spark strip	1
39	1004230050125	Switch plate	1	79	610000140000	Carton upper cover	1
40	1004230060125	Trumpet bracket	1	80	71040040300-R01	Adaptor Assembly	1

1650L EXPLODED DIAGRAM

REFERENCE INFORMATION 17. EXPLODED DIAGRAM

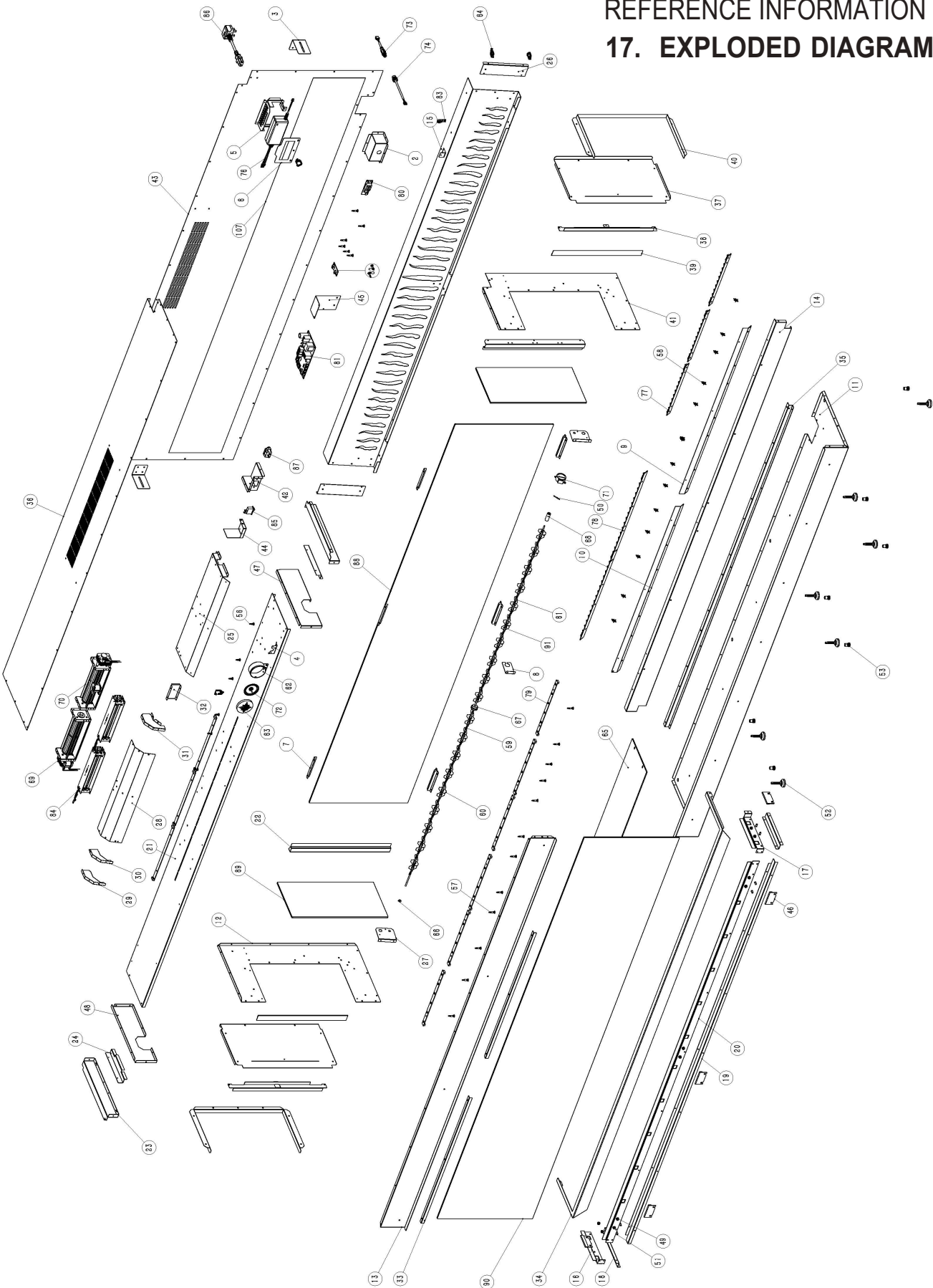


MODEL: 1650L

NO.	Part Number	Description	QTY	NO.	Part Number	Description	QTY
1	010413710165	Wooden pallet	1	55	30000020000	Flat bottom isolation column	4
2	100002857000	Backlight fixing panel	1	56	30000020400-R00	Flat bottom isolation column	18
3	100401960300	Movement fixing pane	2	57	30000035000	Twin nose isolation column	12
4	100421840100-R00	Trumpet bracket	1	58	300400331480	Fiberglass tube	1
5	100421930100-R01	Adaptor fixed box	1	59	300400663029	Reflectors	1
6	100421940100-R01	Adaptor cover board	1	60	300400663031	Reflectors	1
7	100422290100	Glass pressing plate	9	61	300401060100-R00	Loudspeaker box	1
8	100422380100	Middle bracket of reflector wheel	1	62	300401070100-R00	Loudspeaker cover	1
9	100422530165	Flame light bracket	1	63	300401170100-R00	Power harness holder (with lock)	4
10	100422800165	Baseplate	1	64	300401370700	Fuel bed	1
11	100422810125	Left side plate	1	65	34000010500-R00	φ5 Protective ring	1
12	100422820165	Head board	1	66	34000040200-R00	φ6 reflective wheel shaft bar	1
13	100422830165	Flame plate support plate	1	67	340400020200	Rubber pipe	1
14	100422840165	Flame board	1	68	430000180125	Tubular fan	1
15	100422852125	Side glass left lower baffle plate	1	69	430000180126	Tubular fan	1
16	100422852126	Side glass right lower baffle plate	1	70	430000210200	Stepping motor	1
17	100422853125	Side glass fixing plate	2	71	440000420200	Trumpet	1
18	100422855165	Front glass fixing plate	1	72	440000500101-R00	Male wire harness	1
19	100422856165	Front glass bottom board	1	73	440000500200	Female wire harness	1
20	100422860165	Upper fixing panel	1	74	440000588125	Wireless remote control	1
21	100422870125	Side glass barrier strip	2	75	440200070302	5A Adaptor	1
22	100422880125	Upper bracket	2	76	440402810100	3 color flame LED	2
23	100422890125	Side plate upper board	2	77	440402810300	3 color flame LED	2
24	100422900125	Fan fixing board	1	78	440402820000	10 color RGB LED	7
25	100422910125	The flame board bracket	2	79	440402830001	Display board	1
26	100422920125	Stepping motor bracket	2	80	440402830125	Main control board	1
27	100422930125	Air flue upper board	1	81	440402830236	Trumpet driving board	1
28	100422932000	Air flue left board	1	82	440402860000	Receiver	1
29	100422932015	Air duct baffle	1	83	450002070100	Heating element	2
30	100422932100	Air flue right board	1	84	460000010400-R00	Rocker switch	1
31	100422937100	Air flue middle board	1	85	470000070300-R00	Power line (British plug)	1
32	100422940095	Behind watch glass barrier strip	2	86	470400050100-R00	Power cord socket	1
33	100422950165	deckboard	1	87	500400015000	The screen glass	1
34	100422960165	Fuel bed LED bracket	1	88	500400076100	Surface of the glass	2
35	100422970165	Top tray	1	89	500400076500	Side of the glass	1
36	100422980125	Both sides barrier strip	2	90	510400501650	Reflective wheel	1
37	100422990125	Decorative panel rear panel	2	91	610000130006	Accessories carton	1
38	100423000125	Both sides decorative plate	2	92	610000130601	Bottom cover	1
39	100423010125	Both sides mounting bar	2	93	610000130602	Top cover	1
40	100423020125	Right side plate	1	94	610400310014	Log sets pack carton	1
41	100423030125	The power supply box	1	95	620400300010	Lower left foam	1
42	100423040165	Rear panel	1	96	620400300011	Lower right foam	1
43	100423050125	Switch plate	1	97	620400300012	Middle and lower foam	2
44	100423080125	Display board bracket	1	98	620400300013	Upper left foam	1
45	100423090125	Outer glass pressing plate	5	99	620400300014	Upper right foam	1
46	100424531100	Left support plate of top plate	1	100	620400300015	Upper foam	2
47	100424531200	Right support plate of top plate	1	101	620400340200	Foam liner	1
48	180000005005	M5 flange nut	10	102	630400100200	Pearl cotton lining board	2
49	180000090101-R00	Cotter pin M1.5 X20	1	103	630400100300	Pearl cotton lining board	1
50	180400535100	Round head press riveting studs	10	104	630400201400	L paper Angle guard	4
51	180400570100-R00	Adjustable foot	6	105	630400201600	L paper Angle guard	4
52	180400620800-R00	Flat nut(in common use)	6	106	640000025002	Black velvet	1
53	190000050100-R00	Suction cup (single claw)	2	107	710400170200	Magnetic pull handle assembly	2
54	190000800000	Wrench that works on both sides	1	108	750000000001	Accessories package	1

2000L EXPLODED DIAGRAM

REFERENCE INFORMATION
17. EXPLODED DIAGRAM



Model 2000L

NO.	Part Number	Description	QTY	NO.	Part Number	Description	QTY
1	010413710200	Wooden pallet	1	56	300000020000	Flat bottom isolation column	6
2	100002857000	Backlight fixing panel	1	57	300000020400-R00	Flat bottom isolation column	20
3	100401960300	Movement fixing pane	2	58	300000035000	Twin nose isolation column	14
4	100421840100-R00	Trumpet bracket	1	59	300400331825	Fiberglass tube	1
5	100421930100-R01	Adaptor fixed box	1	60	300400663036	Reflectors	1
6	100421940100-R01	Adaptor cover board	1	61	300400663038	Reflectors	1
7	100422290100	Glass pressing plate	9	62	300401060100-R00	Loudspeaker box	1
8	100422380100	Middle bracket of reflector wheel	1	63	300401070100-R00	Loudspeaker cover	1
9	100422530201	Flame light bracket 1	1	64	300401170100-R00	Power harness holder (with lock)	4
10	100422530202	Flame light bracket 2	1	65	300401170800	Fuel bed	1
11	100422800200	Baseplate	1	66	340000010500-R00	φ5 Protective ring	1
12	100422810125	Left side plate	1	67	340000040200-R00	φ6 reflective wheel shaft bar	1
13	100422820200	Head board	1	68	340400020200	Rubber pipe	1
14	100422830200	Flame plate support plate	1	69	430000180125	Tubular fan	1
15	100422840200	Flame board	1	70	430000180126	Tubular fan	1
16	100422852125	Side glass left lower baffle plate	1	71	430000210200	Stepping motor	1
17	100422852126	Side glass right lower baffle plate	1	72	440000420200	Trumpet	1
18	100422853125	Side glass fixing plate	2	73	440000500101-R00	Male wire harness	1
19	100422855200	Front glass fixing plate	1	74	440000500200	Female wire harness	1
20	100422856200	Front glass bottom board	1	75	440000588125	Wireless remote control	1
21	100422860200	Upper fixing panel	1	76	440200070302	5A Adaptor	1
22	100422870125	Side glass barrier strip	2	77	440402810100	3 color flame LED	3
23	100422880125	Upper bracket	2	78	440402810300	3 color flame LED	2
24	100422890125	Side plate upper board	2	79	440402820000	10 color RGB LED	9
25	100422900125	Fan fixing board	1	80	440402830001	Display board	1
26	100422910125	The flame board bracket	2	81	440402830125	Main control board	1
27	100422920125	Stepping motor bracket	2	82	440402830236	Trumpet driving board	1
28	100422930125	Air flue upper board	1	83	440402860000	Receiver	1
29	100422932000	Air flue left board	1	84	450002070100	Heating element	2
30	100422932015	Air duct baffle	1	85	460000010400-R00	Rocker switch	1
31	100422932100	Air flue right board	1	86	470000070300-R00	Power line (British plug)	1
32	100422937100	Air flue middle board	1	87	470400050100-R00	Power cord socket	1
33	100422940095	Behind watch glass barrier strip	2	88	500400015100	The screen glass	1
34	100422950200	deckboard	1	89	500400076100	Surface of the glass	2
35	100422960200	Fuel bed LED bracket	1	90	500400076600	Side of the glass	1
36	100422970200	Top tray	1	91	510400502000	Reflective wheel	1
37	100422980125	Both sides barrier strip	2	92	610000130006	Accessories carton	1
38	100422990125	Decorative panel rear panel	2	93	610000130701	Bottom cover	1
39	100423000125	Both sides decorative plate	2	94	610000130702	Top cover	1
40	100423010125	Both sides mounting bar	2	95	610400310015	Log sets pack carton	1
41	100423020125	Right side plate	1	96	620400300010	Lower left foam	1
42	100423030125	The power supply box	1	97	620400300011	Lower right foam	1
43	100423040200	Rear panel	1	98	620400300012	Middle and lower foam	3
44	100423050125	Switch plate	1	99	620400300013	Upper left foam	1
45	100423080125	Display board bracket	1	100	620400300014	Upper right foam	1
46	100423090125	Outer glass pressing plate	5	101	620400300015	Upper foam	3
47	100424531100	Left support plate of top plate	1	102	620400340300	Foam liner	1
48	100424531200	Right support plate of top plate	1	103	630400100200	Pearl cotton lining board	2
49	18000005005	M5 flange nut	10	104	630400100400	Pearl cotton lining board	1
50	180000090101-R00	Cotter pin M1.5 X20	1	105	630400201400	L paper Angle guard	4
51	180400535000	Round head press riveting studs	10	106	630400201700	L paper Angle guard	4
52	180400570100-R00	Adjustable foot	8	107	640000025003	Black velvet	1
53	180400620800-R00	Flat nut (in common use)	8	108	710400170200	Magnetic pull handle assembly	2
54	190000050100-R00	Suction cup (single claw)	2	109	750000000001	Accessories package	1
55	190000800000	Wrench that works on both sides	1				

iléktró

148 Cochranes Road
Moorabbin, Victoria 3189

www.paulagnewdesigns.com.au

info@paulagnewdesigns.com.au