



Modica

six hundred free standing
Wood Fire

By PAUL AGNEW | DESIGNS[®]

Modica

six hundred free standing

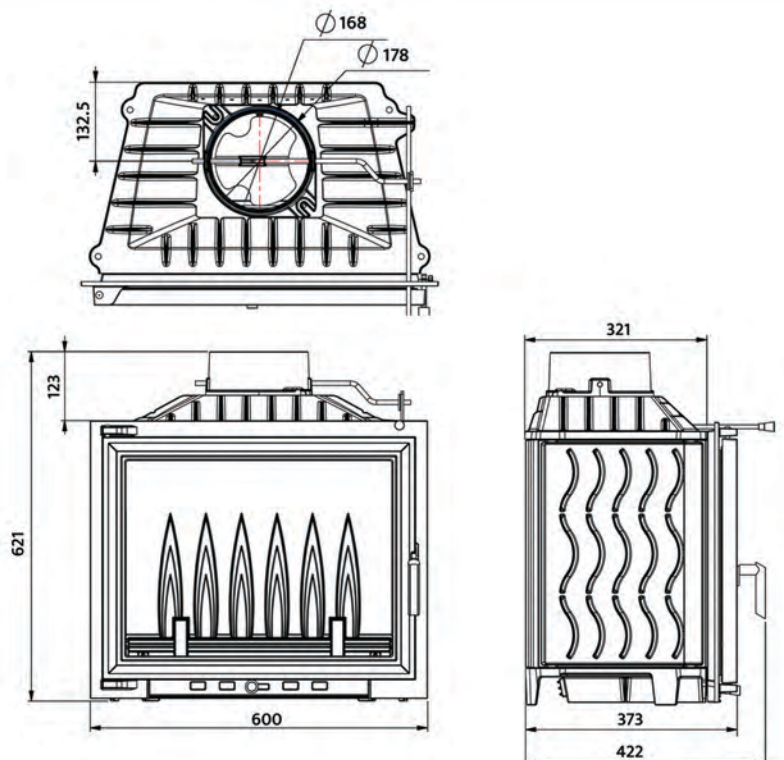
Exclusively brought to Living Fire by Paul Agnew Designs.

This beautifully crafted cast iron wood fire is sure to catch your eye, whether installed as a built-in or left freestanding, the high-quality craftsmanship guarantees reliability and durability.

Achieve an industrial look by leaving the firebox exposed, or install it into a masonry fireplace, this versatile firebox offers the flexibility to create a multitude of design spaces.

Specifications

- Secure swing door opening system
- Regulation of air supply for combustion
- Built in damper control
- Radiant combustion heating system
- Removable grate for easy cleaning
- Heat resistant glass withstands
 - temperatures of 800°C.
- Minimalist frame with seamless glass
 - edge for modern design.
- Optional external primary air intake
- Heats up to 130sqm



PAUL AGNEW | DESIGNS[®]

info@paulagnewdesigns.com | www.paulagnewdesigns.com

