



# Modica

**six hundred inbuilt**  
Wood Fire

By PAUL AGNEW | DESIGNS<sup>®</sup>

# Modica

## six hundred inbuilt

Exclusively brought to Living Fire by Paul Agnew Designs.

This beautifully crafted cast iron wood fire is sure to catch your eye, whether installed as a built-in or left freestanding, the high-quality craftsmanship guarantees reliability and durability.

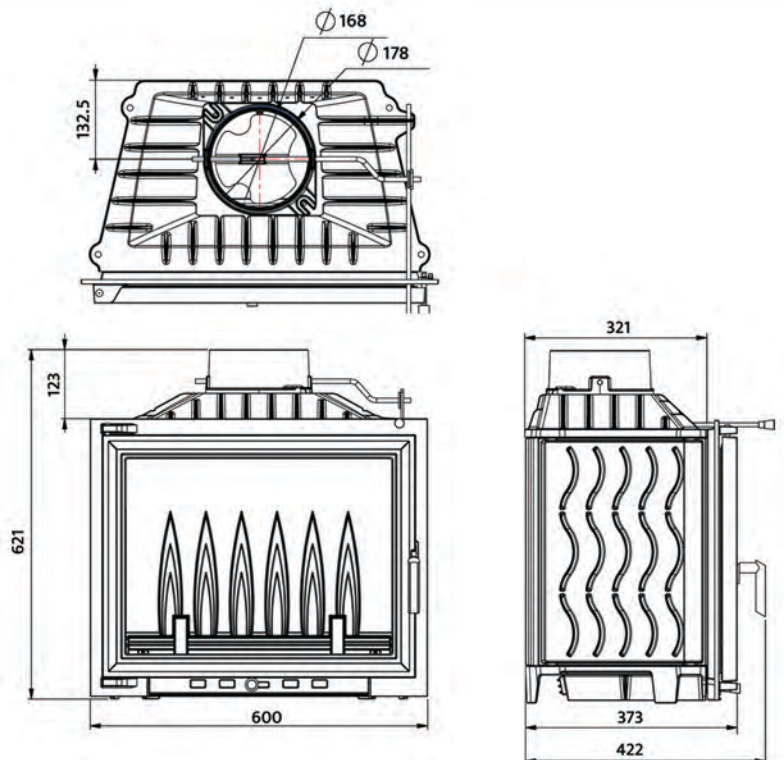
Designed for modern living, the Modica fireplace unit will add ambiance and warmth to any room.

Whether trying to achieve an industrial look by leaving the firebox exposed, or install it into a masonry fireplace, this versatile firebox offers the flexibility to create a multitude of design spaces.



## Specifications

- Secure swing door opening system
- Regulation of air supply for combustion
- Built in damper control
- Dual combustion heating system: radiant and natural convection exclusive to inbuilt model
- Multi room heating advantage exclusive to inbuilt model
- Removable grate for easy cleaning
- Heat resistant glass withstands temperatures of 800°C.
- Minimalist frame with seamless glass edge for modern design.
- Heats up to 130sqm



**PAUL AGNEW** | **DESIGNS**®

info@paulagnewdesigns.com | www.paulagnewdesigns.com

